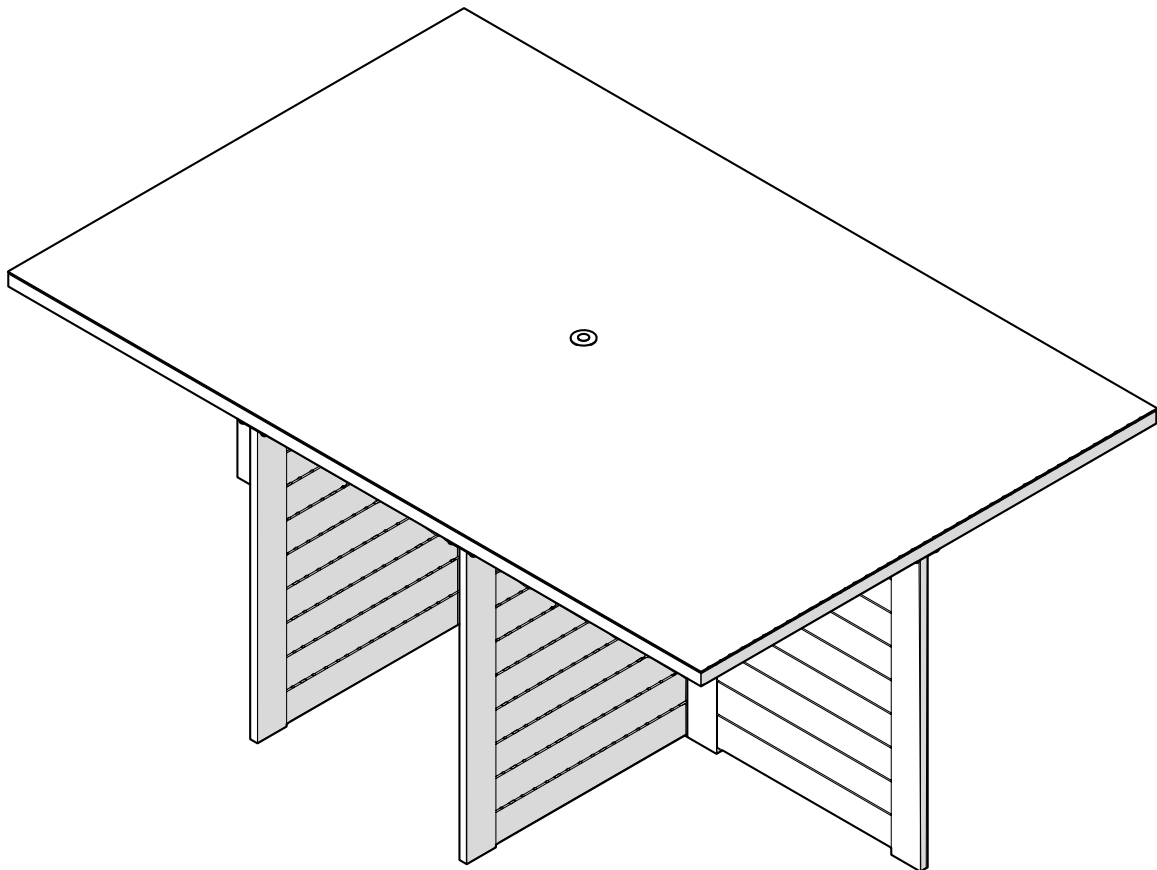




ADRIA 6 SEAT CUBE SET

SKU: TOM0190-123 / TOM0190-124

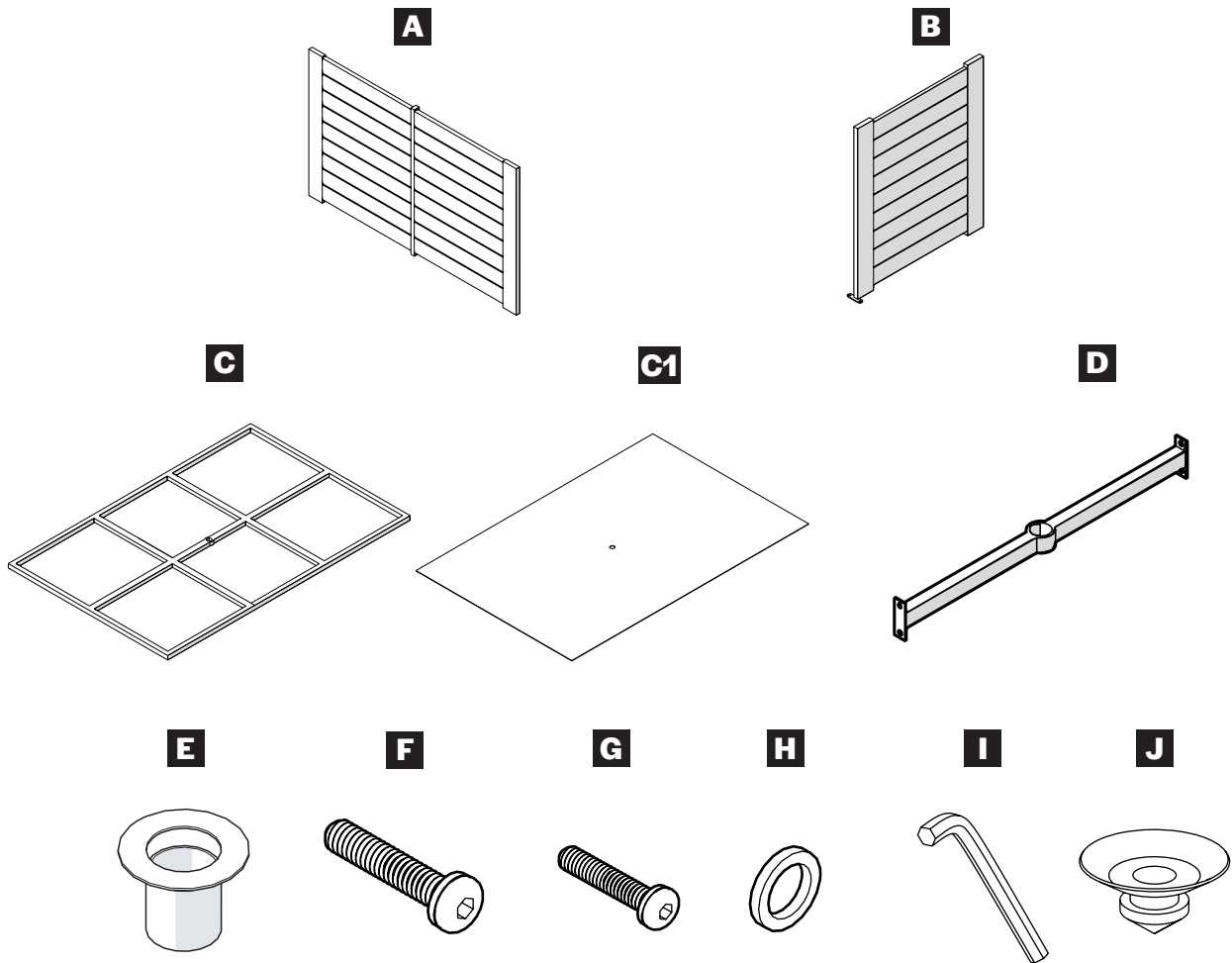
2021 V1.0



IMPORTANT NOTICE

THIS BOOKLET CONTAINS USEFUL INFORMATION
ABOUT WARRANTY & CARE INSTRUCTIONS.
PLEASE KEEP FOR FUTURE REFERENCE.

PARTS LIST



Part	Qty	Part Name
A	2	Long Leg
B	2	Short Leg
C	1	Table Top Frame
C1	1	Glass
D	1	Central Bar
E	1	Parasol Ring
F	16	M6 x 20mm Screw
G	4	M6 x 35mm Screw
H	20	Washer
I	1	Allen Key
J	14	Suction Ring

SAFETY ADVICE

BEFORE YOU START:

- Ensure that you read this manual before starting to assemble your item(s).
- Check that you have all parts from the above part list. Do not throw away any packaging until you are confident that you have all parts.
- Assemble this product on a soft/flat surface. Put any glass safely to one side until it is required and keep any plastic bags, tools and fittings away from children.
- Throughout the assembly process, make sure all fittings are only finger tight. Upon completion, securely tighten all fittings.
- After prolonged use we recommended you check all the fittings are tightened securely.
- Please do not modify this product, use other tools or substitute parts to build your item(s), this will void your warranty.

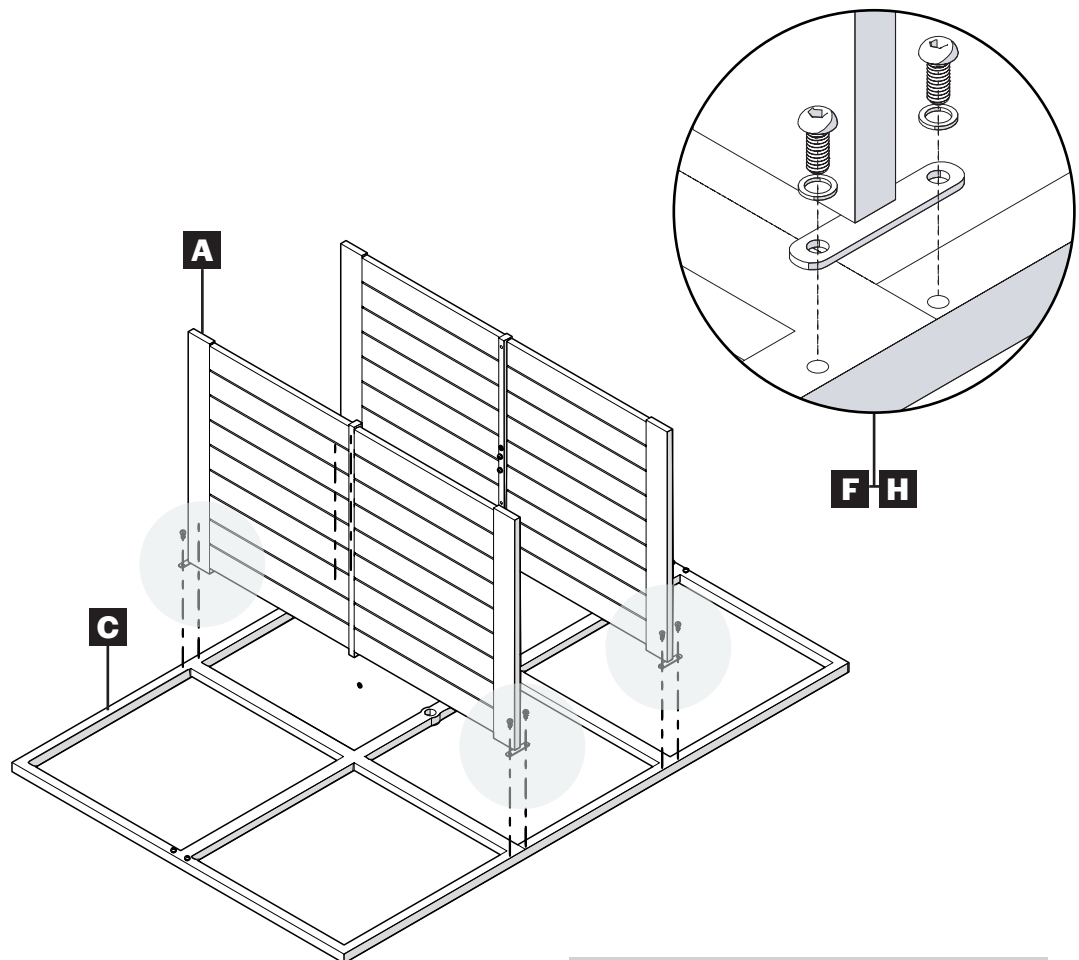
FAMILIARISE YOURSELF WITH THE FOLLOWING SAFETY ADVICE:

- To avoid danger, please keep all plastic bags away from children and do not leave tools unattended during the assembly process.
- Depending on the item(s) you have ordered, there may be heavy parts within this packaging. Ensure you lift with the correct posture & technique. Please get help moving and/or lifting if necessary.
- Please only use this product for its intended purpose as outdoor furniture within a residential environment. Failure to do so will void your warranty.
- Westminster Outdoor Living holds no responsibility for any damages caused due to normal wear and tear, incorrect assembly, misuse and/or negligence
- We reserve the right to make changes for product improvements.
- Please recycle packaging where possible.

ASSEMBLY

STEP 1

Loosely secure the 2 x long legs (A) onto the table top (C) using 8 x M6 x 20mm (F), 8 x washers (G) using the allen key (I). Apply pressure on the frames to ensure all screws align if needed. **Do not tighten any screws during this step.**



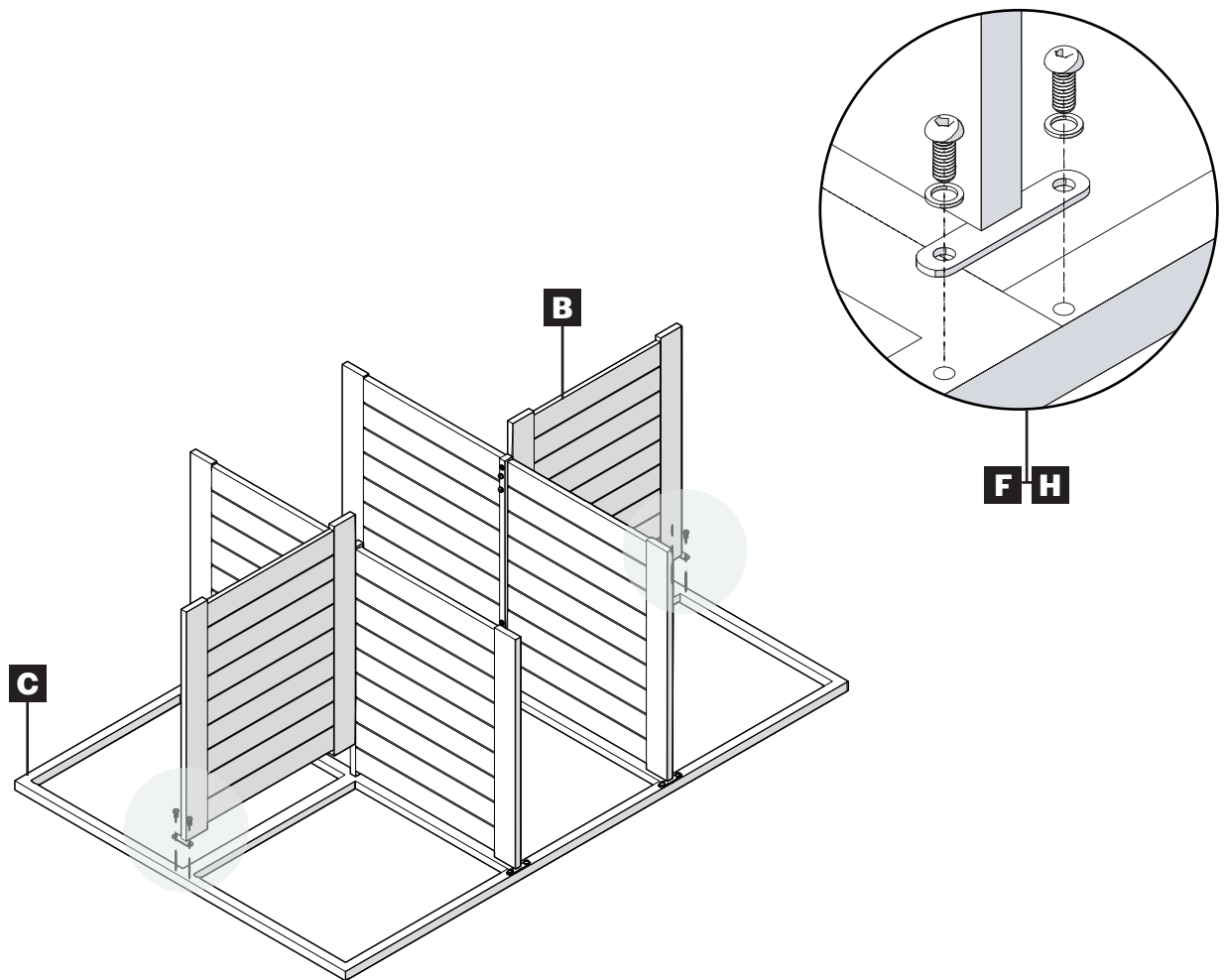
TOP TIP

Utilise the outer cardboard packaging where possible. This will protect your table when assembling and prevent damage.

ASSEMBLY

STEP 2

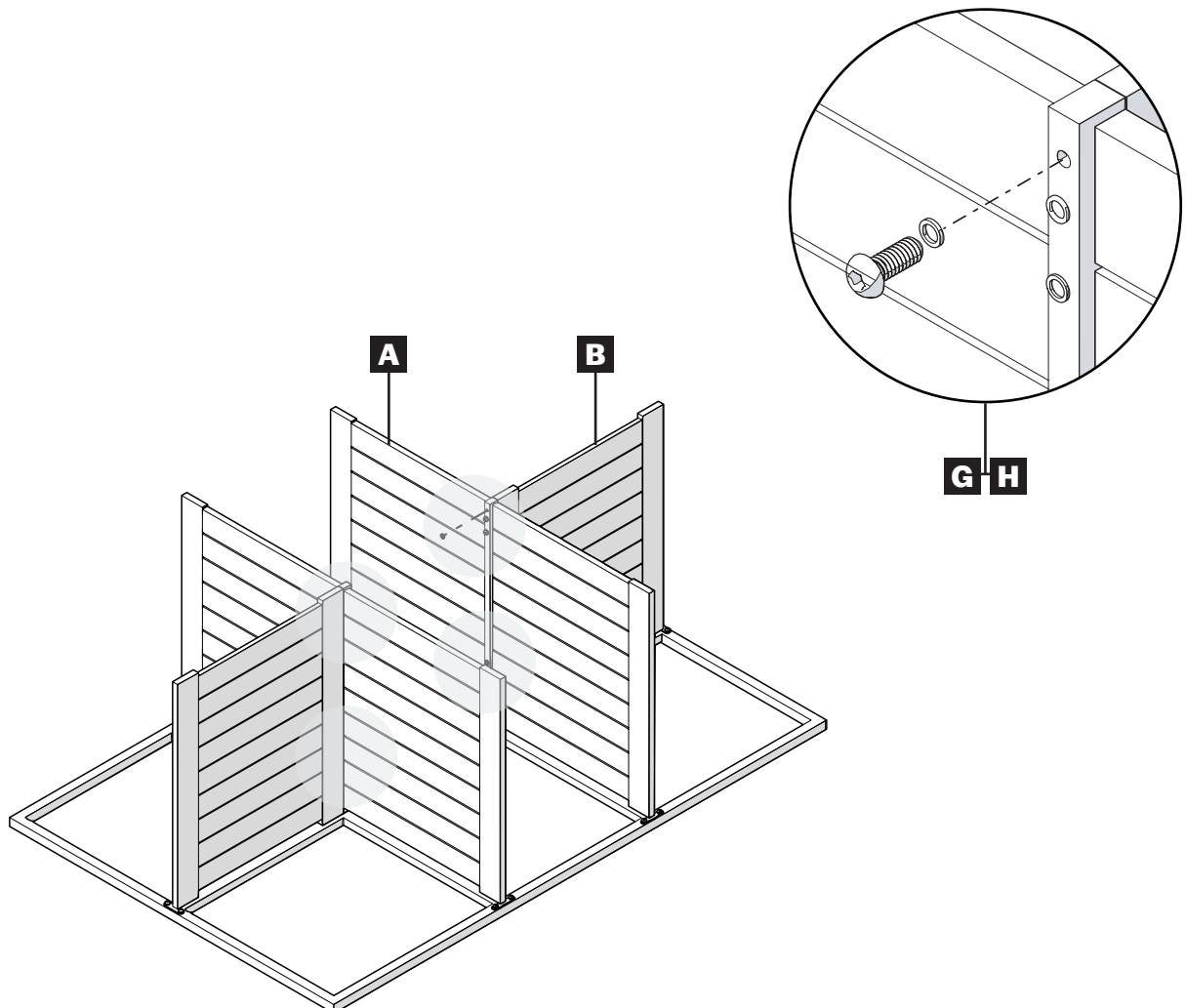
Loosely secure the 2 x short leg (B) onto the table top (C) using 4 x M6 x 20mm (F), 4 x washers (G) using the allen key (I). Apply pressure on the frames to ensure all screws align if needed. **Do not tighten any screws during this step.**



ASSEMBLY

STEP 3

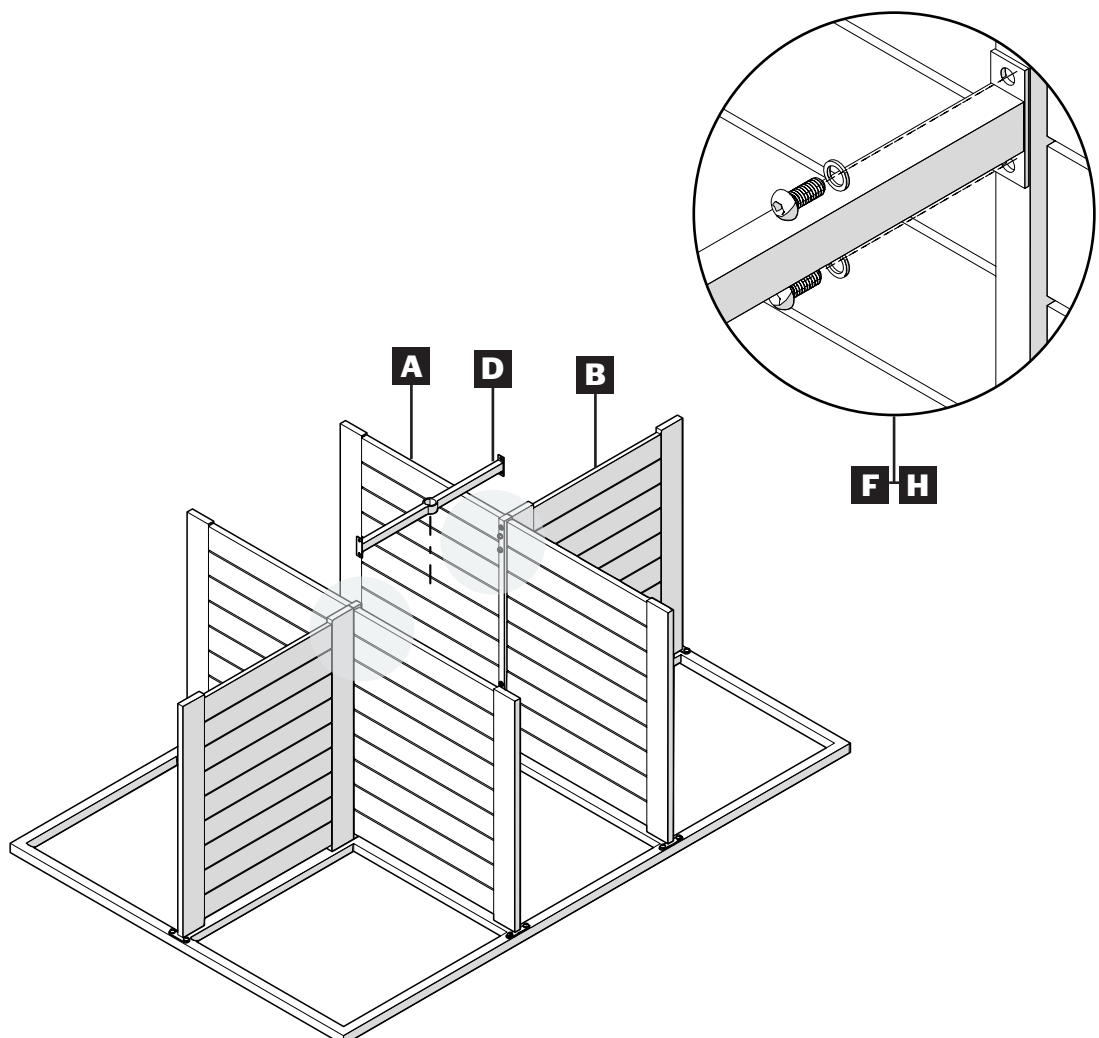
Position short leg (B) to the centre of long leg (A) by securing together both legs using 4 x M6 x 35mm (G), 4 x washers (H). using the allen key (I).



ASSEMBLY

STEP 4

Position the central bar (D) between both short legs (B). Loosely secure using 4 x M6 x 20mm (F), 4 x washers (H) using the allen key (I).



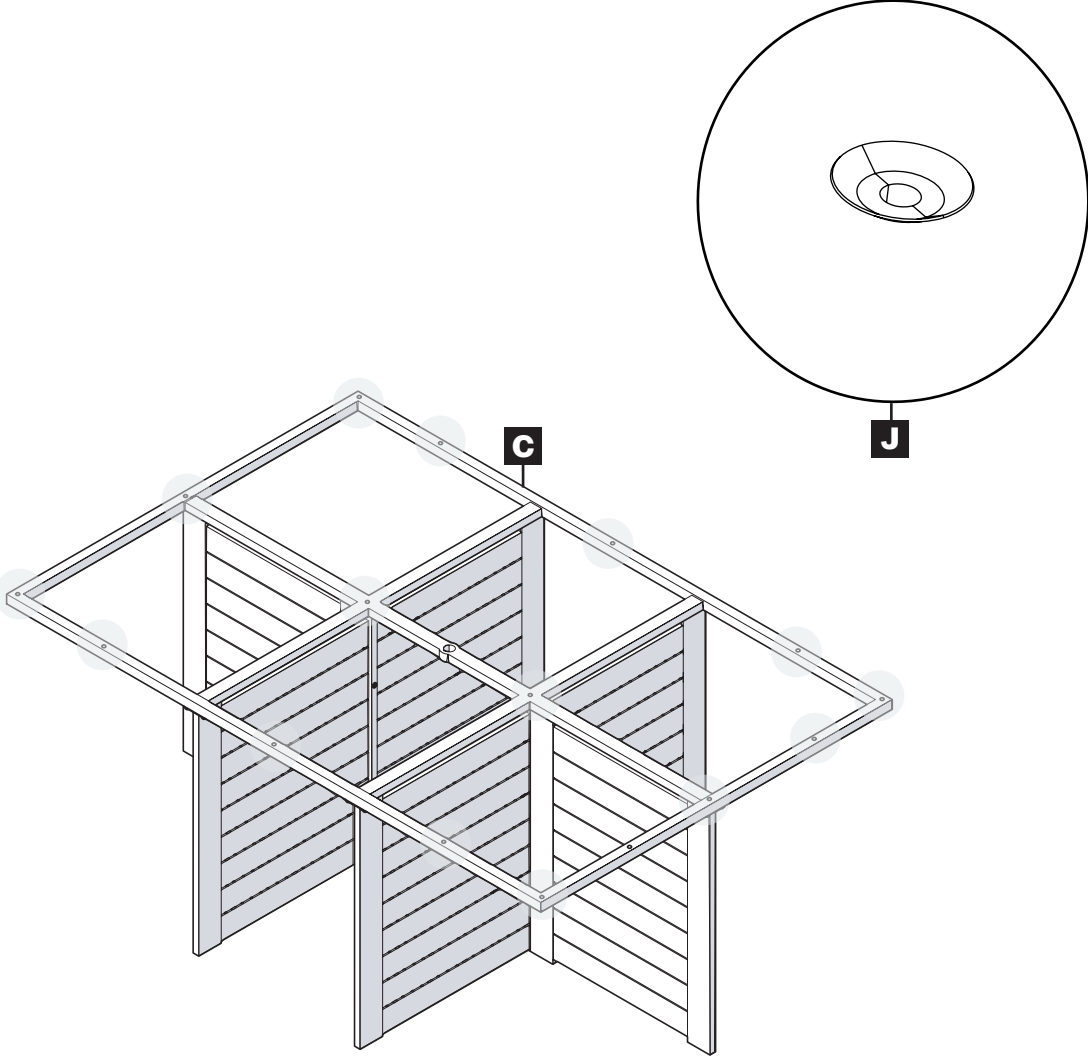
IT'S TIME

Tighten all the screws using the provided allen key (I)

ASSEMBLY

STEP 5

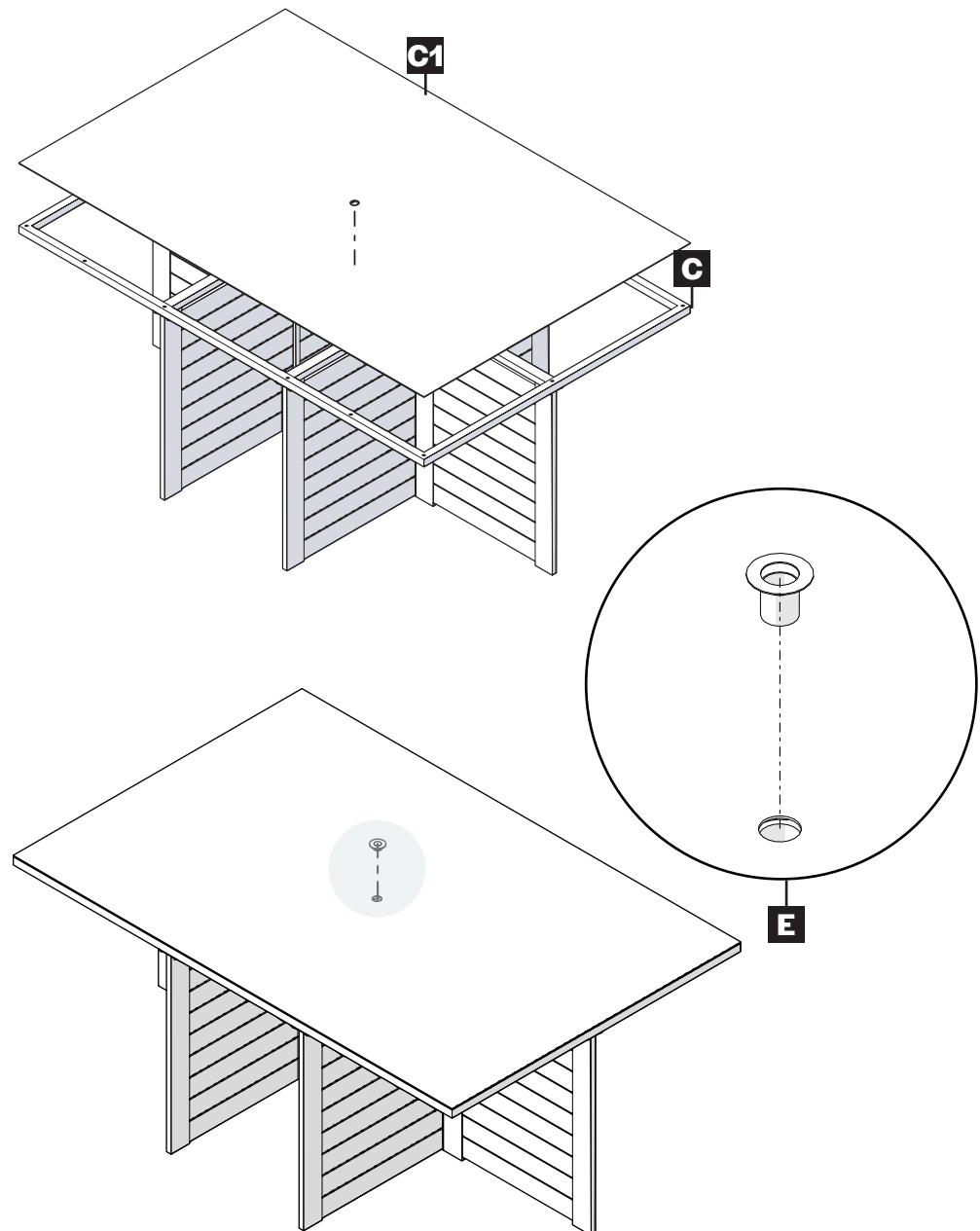
Turn over the table top, add the suction cups (J) onto the table top (C).



ASSEMBLY

STEP 6

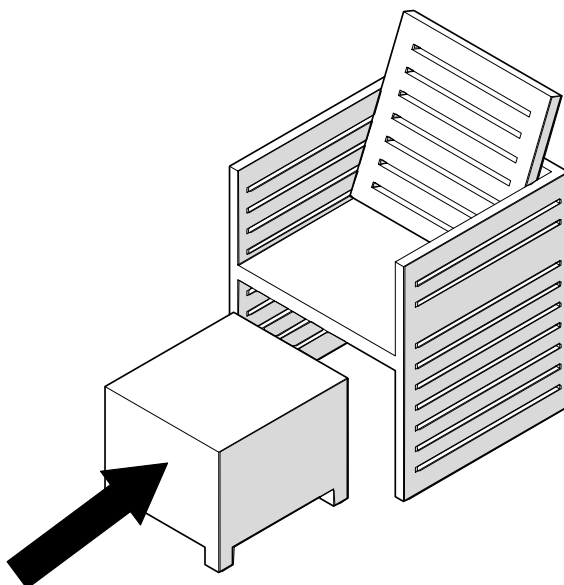
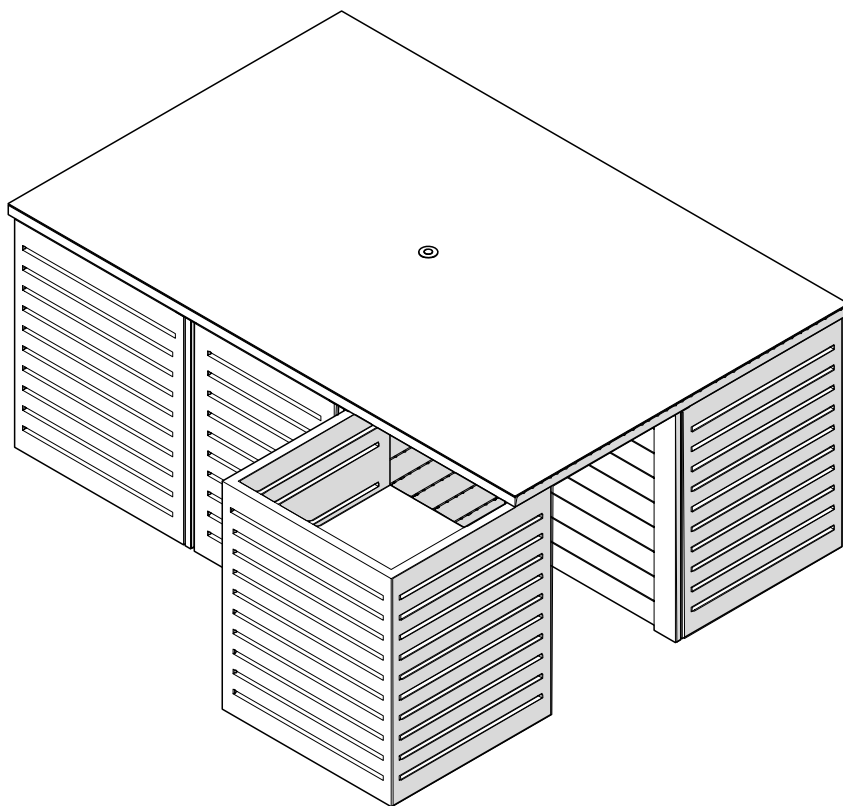
Position the glass (C1) onto the table top (C). Ensure the suction cups are flat. Position the parasol ring (E) into the centre of the glass (C1). If you are not using a parasol, cover the parasol ring with the cap.



ASSEMBLY

STEP 7

Slide all the chairs and footstools (In seperate boxes) into the table frame.



TOP TIP

We recommend the cushions are stored inside, when not in use.

CARE, MAINTENANCE & WARRANTY INFORMATION

Our range of aluminium furniture is designed for continual outdoor use. The aluminium frame ensures that you can leave it outside all year round.

ALUMINIUM CARE

The aluminium framework is incredibly low maintenance and is resistant to UV rays, salt water, frost and snow and requires only basic care to keep it clean.

To clean, simply use warm soapy water and a damp cloth.

CUSHION CARE

Our polyester cushions are comfortable and practical. To clean the cushion cases, in most instances you should be able to unzip the cover and wash in a washing machine at 30°. Leave to dry naturally. Do **NOT** use a tumble dryer. For those cushions that are sewn shut, they can be handwashed. Do **NOT** leave cushions outside when not in use.

WARRANTY INFORMATION

We regret to inform you that warranty claims cannot be accepted without proof of purchase. Warranties are valid from date of purchase, to the original purchaser only. For us to help you, please ensure all warranty terms have been adhered to.

The warranty applies to residential domestic use within the UK only. It does not cover commercial use, misuse, accidental damage or normal wear and tear. We reserve the right to repair and/or replace parts rather than a complete item at our discretion.

WESTMINSTER
1990

