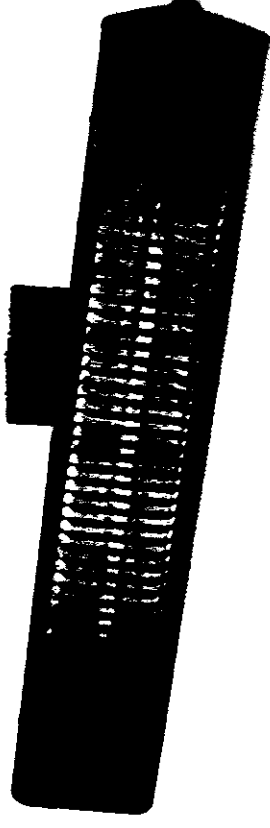


INFRARED PATIO HEATER

Safety Instructions
and Operation Manual

Model: LDHR018-200EKY-M

(Note: This product is strictly prohibited to cover)



Thank you for purchasing our products. Please read carefully this instruction before using and operate strictly accordance with the instructions, and especially pay attention to "Important Safety Instructions". Please be careful collection after reading so as to for future reference

Introduction

Your infrared heater is heating in the way of radiation (no need for medium) so your infrared heater is effective. At the same time, the heater has very good physiotherapy effect. Because it doesn't need to heat the ambient air (medium), it is good to be used in the open-air as well. Your waterproof infrared patio heater offers innovative and optimal benefit with least need of space, perfect for heating both indoor and outdoor areas, which provides a complete new way of modern heating technique — on the balcony, terrace, in the winter garden or generally speaking for gastronomy and also perfectly fits as integration in big umbrella & tent systems.

Important Safety Instructions

When using electrical appliances, basic safety precautions should always be followed to reduce the risk of fire, electric shock, or injury to persons, etc.

Read through the operation and assembly instructions conscientiously before operating the appliance.

Be sure to keep the manual in a safe place for future reference. If you pass the appliance on, pass on the instructions too.

The heater must not be located immediately below the socket-outlet.

If the supply cord is damaged, it must be replaced by the manufacturer or its service agent or a similarly qualified person in order to avoid a hazard.

This appliance can be used by children aged from 8 years and above and persons with reduced physical, sensory or mental capabilities or lack of experience and knowledge if they have been given supervision or instruction concerning use of the appliance in a safe way and understand the hazards involved. Children shall not play with the appliance. Cleaning and user maintenance shall not be made by children without supervision.

Children of less than 3 years should be kept away unless continuously supervised. Children aged from 3 years and less than 8 years shall only switch on/off the appliance provided that it has been placed or installed in its intended normal operating position and they have been given supervision or instruction concerning use of the appliance in a safe way and understand the hazards involved. Children aged from 3 years and less than 8 years shall not plug in, regulate and clean the appliance or perform user maintenance.

The heater must be installed at least 1,8 m above the floor.

WARNING: This heater is not equipped with a device to control the room temperature. Do not use this heater in small rooms when they are occupied by persons not capable of leaving the room on their own, unless constant supervision is provided.

CAUTION — Some parts of this product can become very hot and cause burns. Particular attention has to be given where children and vulnerable people are present.

The installation of the heater should not be close to curtains and other combustible materials.

Do not use this heater in the immediate surroundings of a bath, a shower or swimming pool.

Only connect the fan heater to a single-phase socket with a main voltage as specified on the rating plate.

Extreme caution is necessary when any heater is used by or near children and whenever the heater is left unattended.

When using a plugged mains connection always unplug your heater when not in use.

Do not operate any heater with a damaged cord or plug or after if the heater has been dropped or damaged in any manner.

Do not run cord under carpeting. Do not cover cord with throw rugs, runners or the like. Do not route cord under furniture or appliances. Arrange away from areas where it may be a trip hazard. Do not try to repair the appliance by your-self.

DO not insert or allow foreign objects to enter any part of this heater as this may cause electric shock or fire or damage the heater.

To prevent fire risk, do not block air intakes or exhaust in any manner.

A minimum distance of 1M between the appliance and flammable materials must always be maintained.

Do not use it in the areas where gasoline paint or flammable liquids are used or stored.

Use this heater only as described in this manual. Any other use not recommended by the manufacturer and may cause fire electric shock or injury.

Always plug heaters directly into a wall outlet /receptacle. Never use with an extension lead.

Never coil or tie any spare electrical cable when heater is in use.

Do not try to repair the appliance by yourself. Please contact the service agent or a suitably qualified electrician for maintenance.

Remove the plug from the power outlet and wait until the appliance is sufficiently cooled before cleaning.

This heater is not intended for use in bathrooms laundry areas and similar indoor locations. Never locate heater where it may fall water.

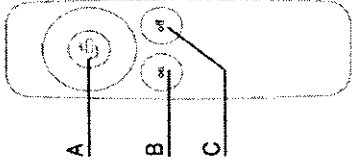
Save These Instructions

Specifications

Specification	LDHR018-200EKY-M
Voltage (V)	220-240V ~
Power consumption (W)	2000W
Infrared receiving Angle	60°±5°
The control distance(M)	6
Battery type	AAA size 1.5V , 2 pieces
Rotation angle	60°±5°

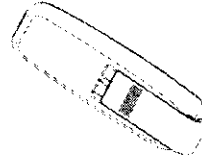
Remote Control Instructions

Button	Feature
A	To turn oscillation on, use the remote control, press ON (A).
B	To turn oscillation off, use the remote control, press ON (A).
C	The oscillation can be turned off at any time and the heater head will stay in the selected position.



Notice:

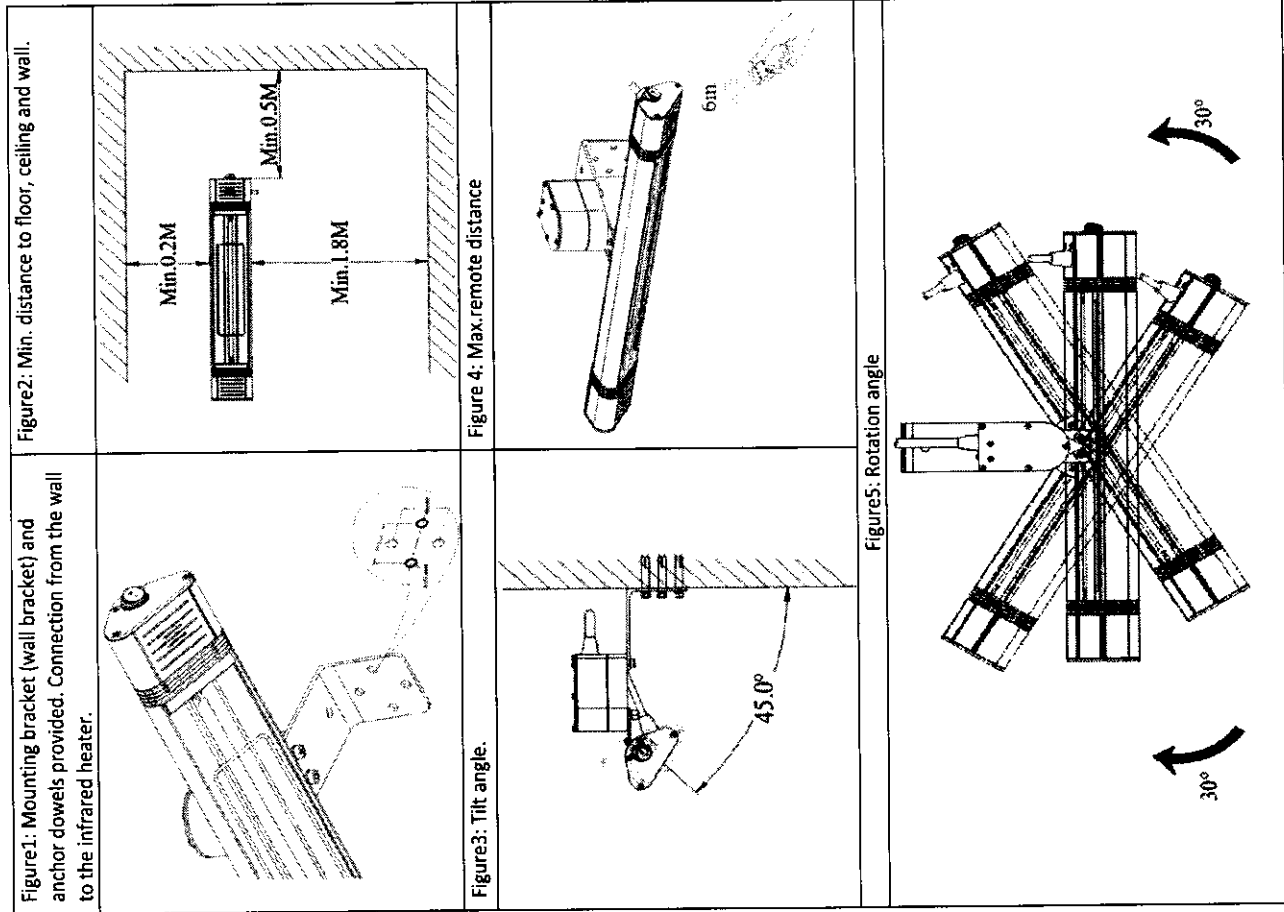
- Use 2 pieces AAA size 1.5V batteries in the remote control. Remove the battery when not use for long time, thus the lifespan of remote control can be extended.
- Choose the same specification battery when replacing the battery inside, otherwise it may cause remote control not work, thereby affect the normal use of the heater.
- Please contact service agent for further help if you need the function.
- The remote control function may be out of work if there is a barrier between the remote control and heater.
- Replacing the batteries duly so as not to affect the normal use of heater and remote control.



Operation Instruction

- Remove all package material (including anti-vibration object of the lamp) and check the appliance, supply cord and the plug for signs of damage.
- Pay attention to the mounting place and all mounting material (dowels, screws). Ensure they are suitable and stable enough for mounting and lasting holding of the appliance.
- Before mounting, the minimum safe mounting distances and tilt angles shown in the figures must be strictly followed.

- The distance between the bottom edge of the appliance and the floor must be at least 1.8 M. See figure 2.
- There must be a distance of at least 0.2 M between the appliance and the ceilings, roofs or other covers. See figure 2.
- There must be a distance of at least 0.5 M at each side between the appliance and walls or the like. See figure 2.
- Recommended degree to mounting surface is 45°. See figure 3.
- the rotation angle is 60°. See figure 5.
- Pay attention that, the installation of the appliance must not add excessive wind load.
- Fix the mounting bracket on the wall first. Ensure that the place to be installed is secure and firm. Or connect the appliance to the stand.
- Adjust the desired angle of radiation and fast screw all screws. Check regularly the screw's connection. Mechanical bearing pressure and oscillation due to wind or rain could lead to loose.
- Plug in the power source and operate the remote control. Then observe, whether during the first 10-15 minutes the appliance works trouble-free.
- If you do not use, please remove battery socket
- screws' connection. Mechanical bearing pressure and oscillation due to wind or rain could lead to loose.
- Plug in the power source and operate the remote control. Then observe, whether during the first 10-15 minutes the appliance works trouble-free.
- If you do not use, please remove battery socket



Cleaning and Maintenance

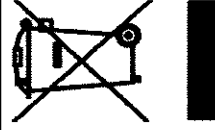
- This appliance is consist of a robust and maintenance-free aluminum casing with a protection cover. No user serviceable parts inside.
- Before cleaning, remove the plug from the power outlet and wait until the appliance is sufficiently cooled off.
- Wipe the appliance only with clean and lint-free cloth or a soft brush.
- Never use abrasive cleaners, scrubbing brushes and chemical cleaners for cleaning!
- The alcohol can be used to clean the appliance. When cleaning the reflector, please contact with the service agent or a suitably qualified electrician if the reflector needs to be removed
- To protect against electrical shock and danger of life, do not immerse cord, plug, or any part of the appliance in water or other liquid.
- For heating element replacement, please contact the manufacturer or its service agent or a similarly qualified person.

Storage

Do not route cord when heater storage, or heater is not in use.

Disposal

Correct Disposal of this product



This marking indicates that this product should not be disposed with other household wastes throughout the EU. To prevent possible harm to the environment or human health from uncontrolled waste disposal, recycle it responsibly to promote the sustainable reuse of material resources. To return your used device, please use the return and collection systems or contact the retailer where the product was purchased. They can take this product for environmental safe recycling.

Customer Service

Repairs must be carried out by authorized specialists, thus ensuring electrical safety. Please contact with the service agent or a suitably qualified electrician.

Improper repairs could lead to danger to the user.

This warranty does not cover damage of failure which results from alteration, accident, misuse, abuse, neglect, commercial use or improper maintenance.

In line with our policy of continuous product development we reserve the right to change the product and documentation specifications without notice.