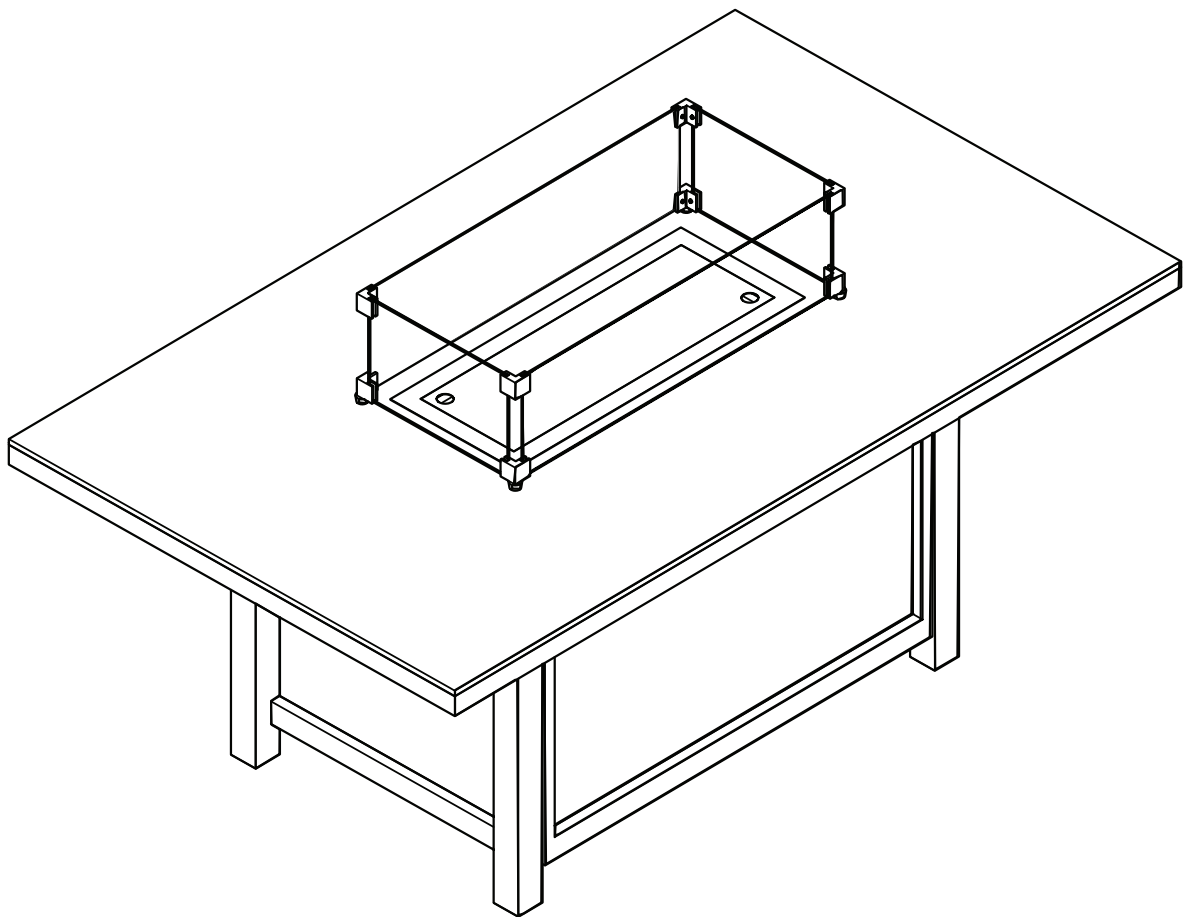




BLAZE ALUMINIUM 150CM X 90CM FIREPIT TABLE

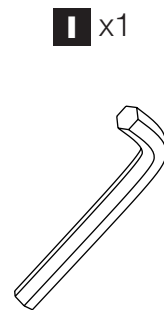
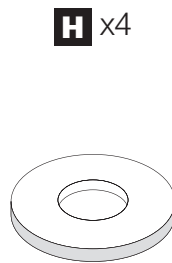
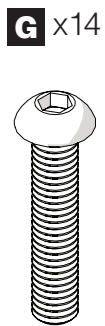
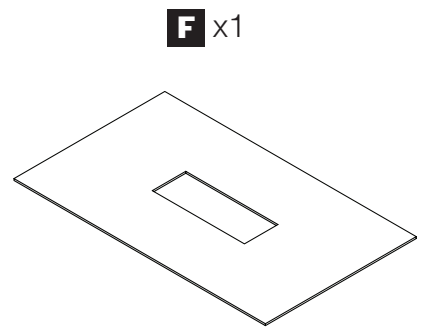
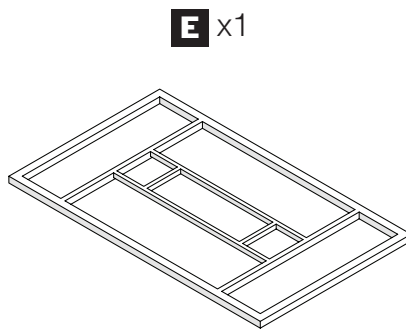
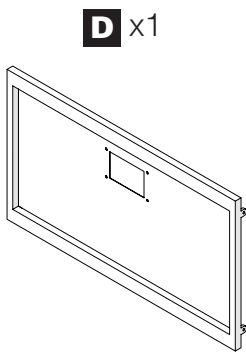
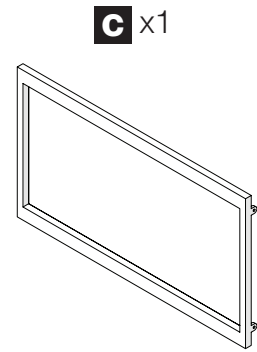
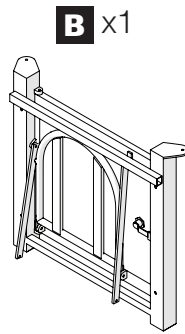
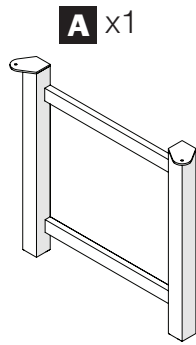
SKU: BLZFLT-080 / BLZFLT-081



IMPORTANT NOTICE

THIS BOOKLET CONTAINS USEFUL INFORMATION
ABOUT WARRANTY & CARE INSTRUCTIONS.
PLEASE KEEP FOR FUTURE REFERENCE.

PARTS LIST

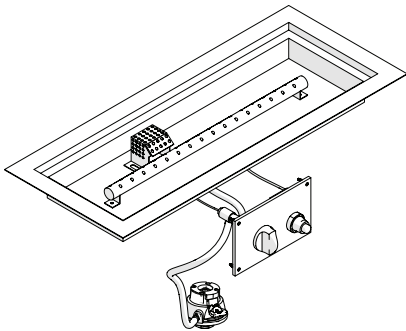


Part	Qty	Part Name
A	1	Leg
B	1	Leg Panel With Door
C	1	Side Panel
D	1	Side Panel With Control Panel Hole
E	1	Table Top Frame
F	1	Ceramic Table Top
G	14	M6 x 25mm Screw
H	4	Washer
I	1	Allen Key

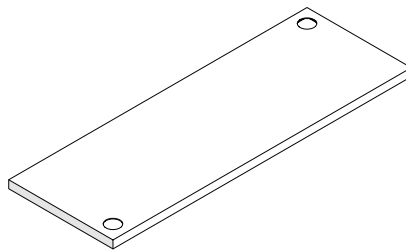
PARTS LIST

Firepit System Box

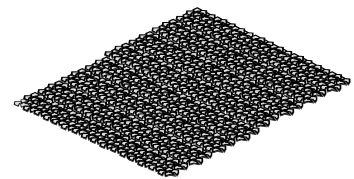
J x1



K x1

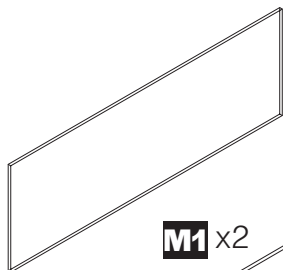


L x1

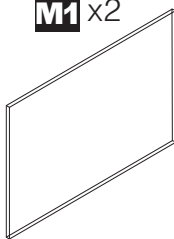


Windguard Box

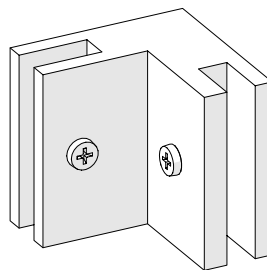
M x2



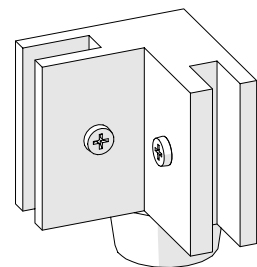
M1 x2



N x4



O x4



Part	Qty	Part Name
J	1	Firepit System
K	1	Stainless Steel Lid Cover
L	1	Onyx Coloured Fireglass
M	2	Long Rectangular Windguard Panel
M1	2	Short Rectangular Windguard Panel
N	4	Top Connector For Windguard
O	4	Bottom Connector For Windguard

ASSEMBLY ADVICE - READ BEFORE YOU START!

- **NEVER** use power drills when assembling the table, firepit and windguard.
- Ensure that you read this manual before starting to assemble your table.
- Check that you have all parts from the parts list. Do not throw away any packaging until you are confident that you have all parts.
- Assemble this product on a soft/flat surface.
- Place the ceramic table top safely to one side until it is required and never lay the ceramic table top on hard or rough surfaces during assembly.
- It is recommended that two people lift the ceramic table top. Ensure you lift with the correct posture & technique.
- Keep any plastic bags, tools, and fittings away from children and pets.
- After prolonged use we recommend you check all the fittings are tightened securely.
- Please do not modify this product, use other tools, or substitute parts to build your item(s), as this will void your warranty.
- Please only use this product for its intended purpose as outdoor furniture within a residential environment. Failure to do so will void your warranty.
- Westminster holds no responsibility for any damages caused due to normal wear and tear, incorrect assembly, misuse and/or negligence.
- We reserve the right to make changes for product improvements.
- Please recycle packaging where possible.

GAS FIREPIT SAFETY ADVICE - READ BEFORE YOU START!

- **ONLY** a **5kg Patio Gas Bottle** can be used in conjunction with this firepit. Using any other size will invalidate your warranty and will damage your product.
- Perform a visual inspection of all fixings ensuring they are all securely tightened before using the system for the first time.
- When using your gas firepit table, operate on solid ground only.
- The gas firepit table can only be used outdoors, in a well-ventilated area.
- The gas system must be checked and serviced yearly, by a qualified gas safety engineer.
- **NEVER** add any fuel to the burner tray.
- 1 x AAA battery must be inserted into the ignition ensuring the negative side is inserted first.
- Ensure the black wire from the system is connected to the igniter.
- Make sure the gas supply is switched off before changing the battery in the ignition.
- Turn off the gas supply after each use.
- Only **ONE** gas bottle can be stored under the table when in use.
- If you smell gas, turn off the gas supply immediately, open the lid and ventilate the area.
- The windguard is purely that and will not prevent the surrounding area from heating up. It prevents the flame from being blown across the table only and it will get hot.
- The fire glass is heat resistant and is for decoration to cover the pan and firepit system. The ring burner can be covered in crushed glass. However, the pilot cover cannot be covered or the flame will fail to ignite.
- The system should be kept clean at all times and can be cleaned with a damp cloth.
- To release the gas bottle you press the button under the regulator. This will only work if the gas is switched off.
- For further gas safety information refer to the instructions within the gas system.

TABLE ASSEMBLY

STEP 1

Loosely secure the leg panel onto the table top using the M6 x 25mm screws and washers. **Do not tighten any screws at this step.**

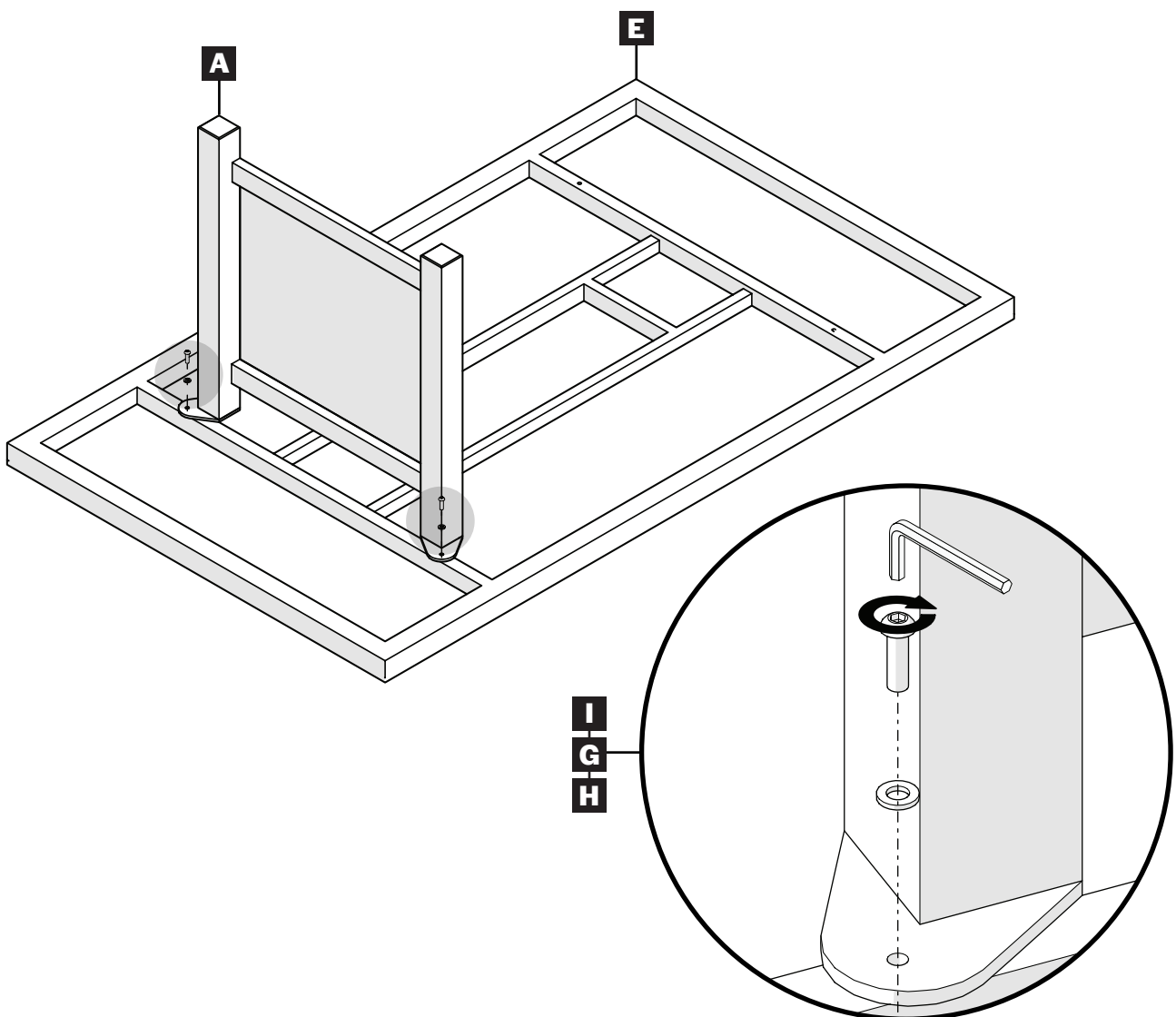
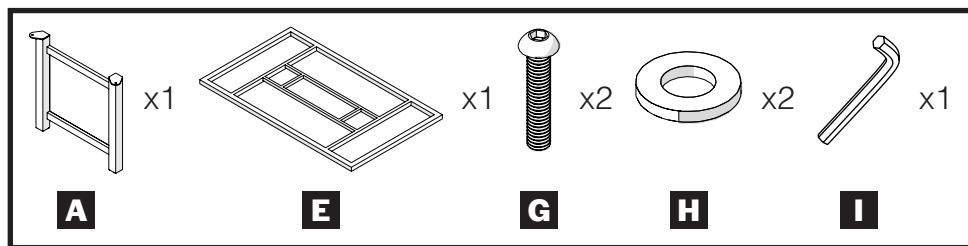


TABLE ASSEMBLY

STEP 2

Release the gas bottle frame from the door. Secure the frame together using the M6 x 25mm screws.

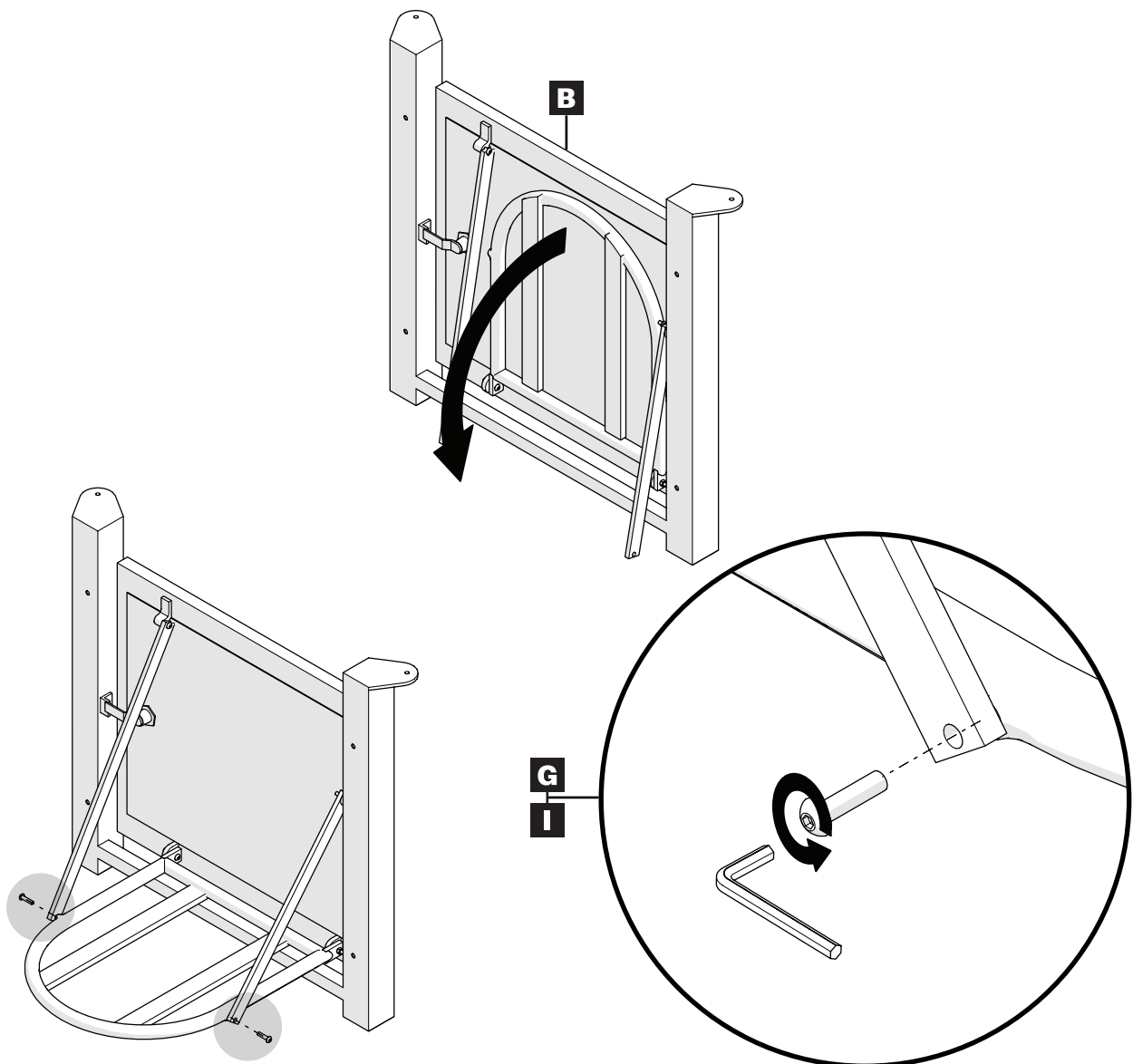
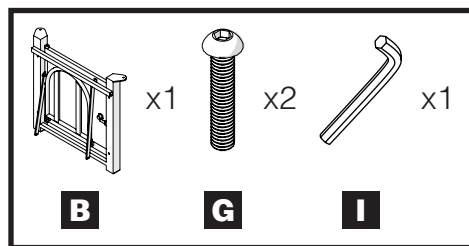


TABLE ASSEMBLY

STEP 3

Loosely secure the leg panel with the door onto the table top using the M6 x 25mm screws and washers. **Do not tighten any screws at this step.**

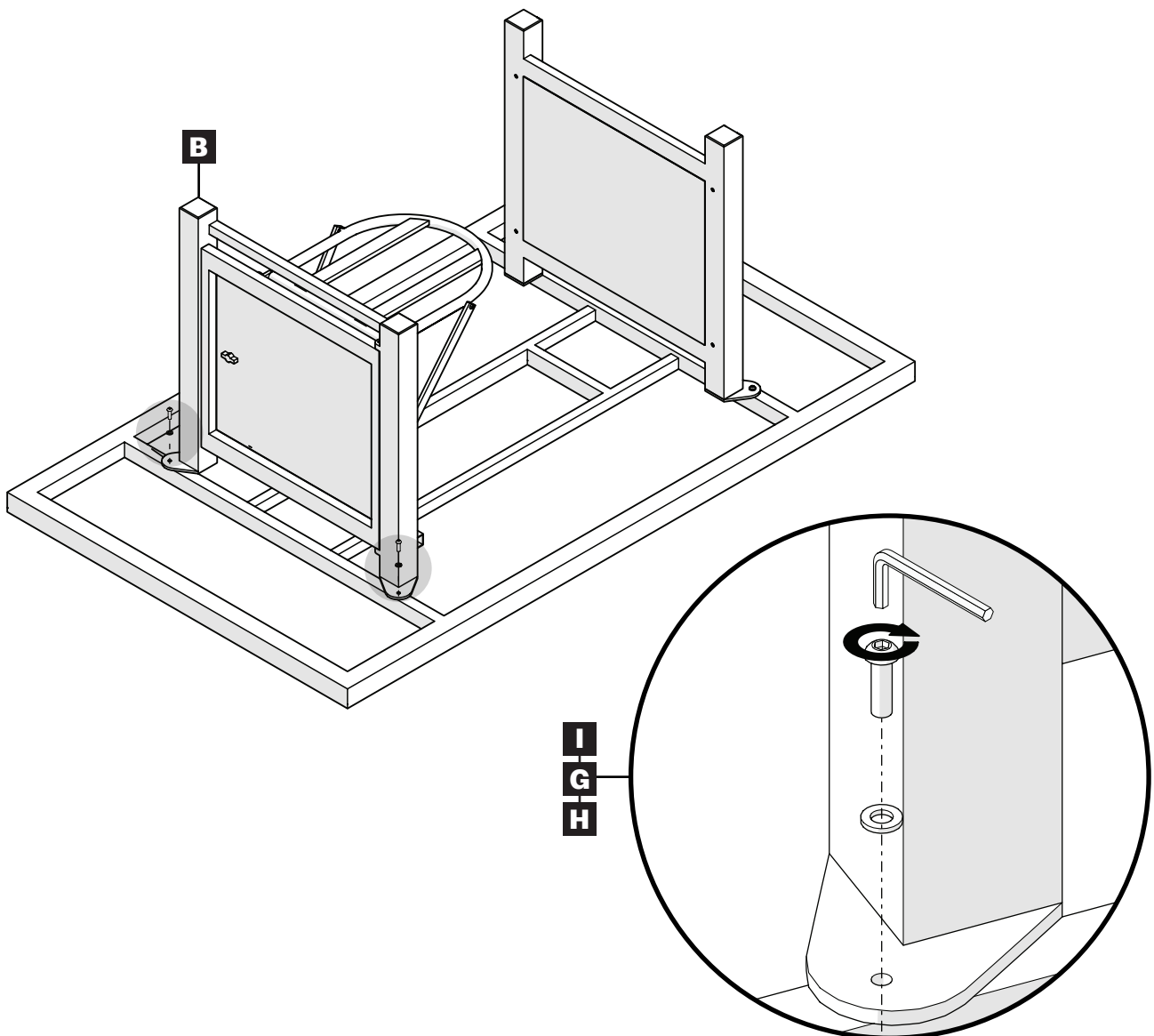
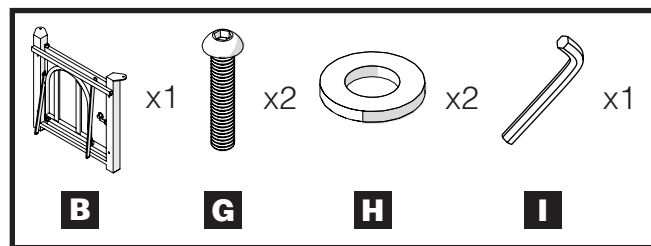


TABLE ASSEMBLY

STEP 4

Loosely secure the side panel with the control panel hole to the legs using the M6 x 25mm screws. **Do not tighten any screws at this step.**

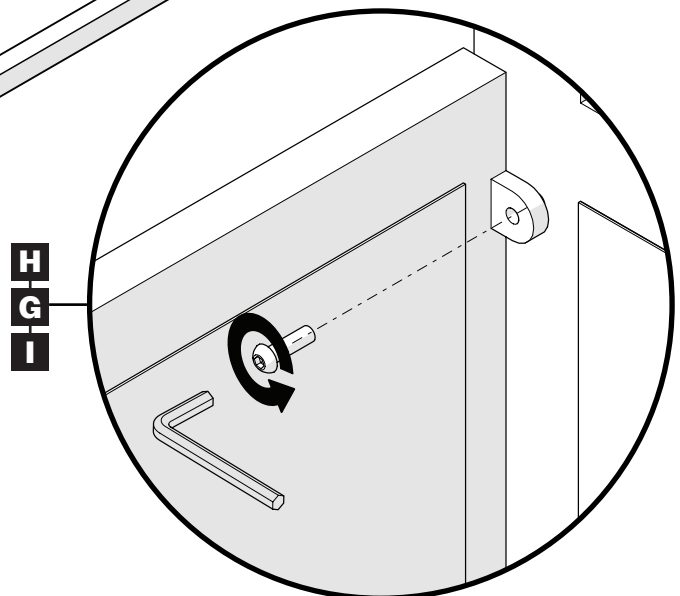
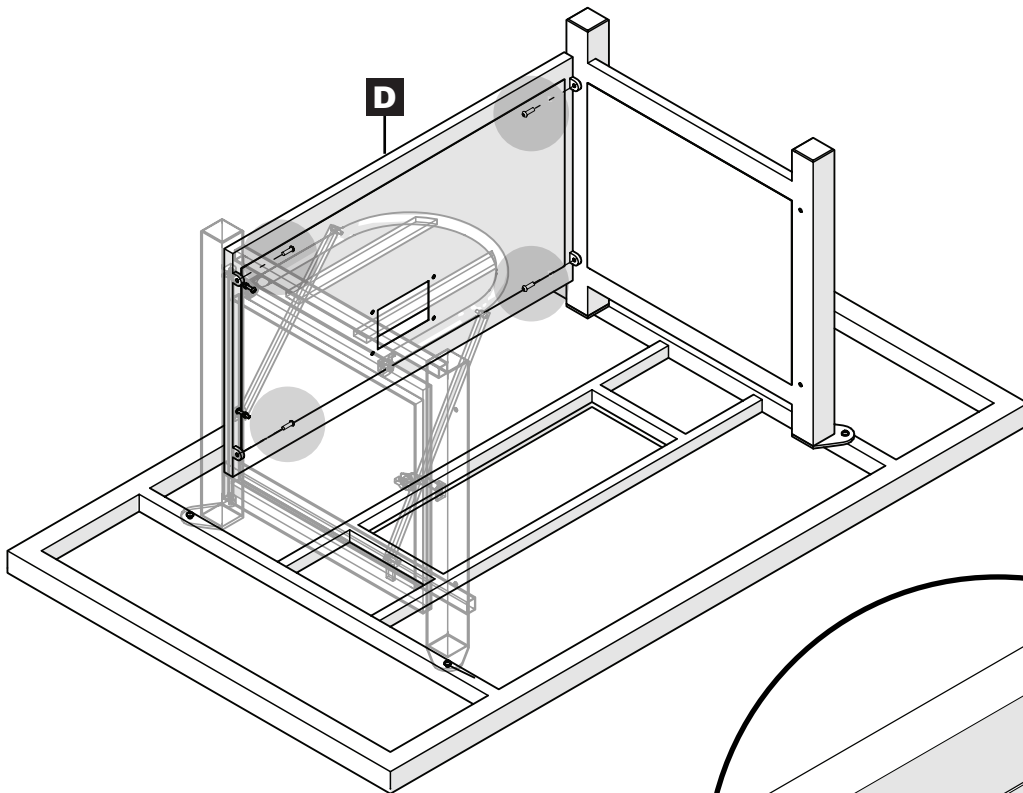
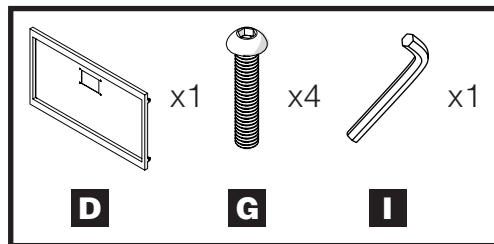
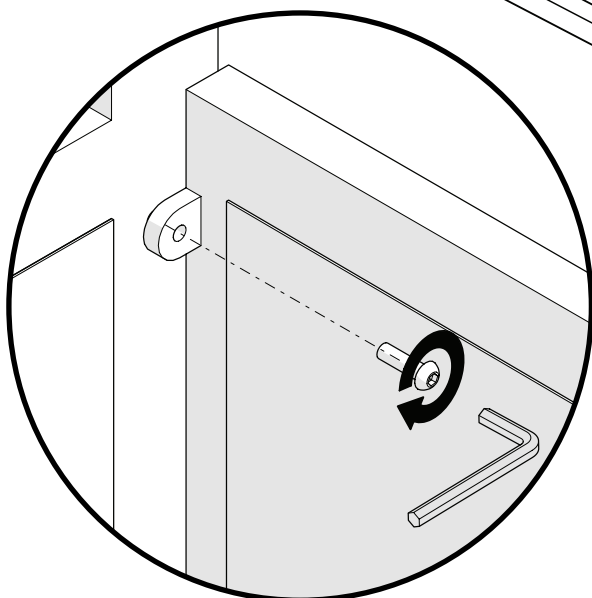
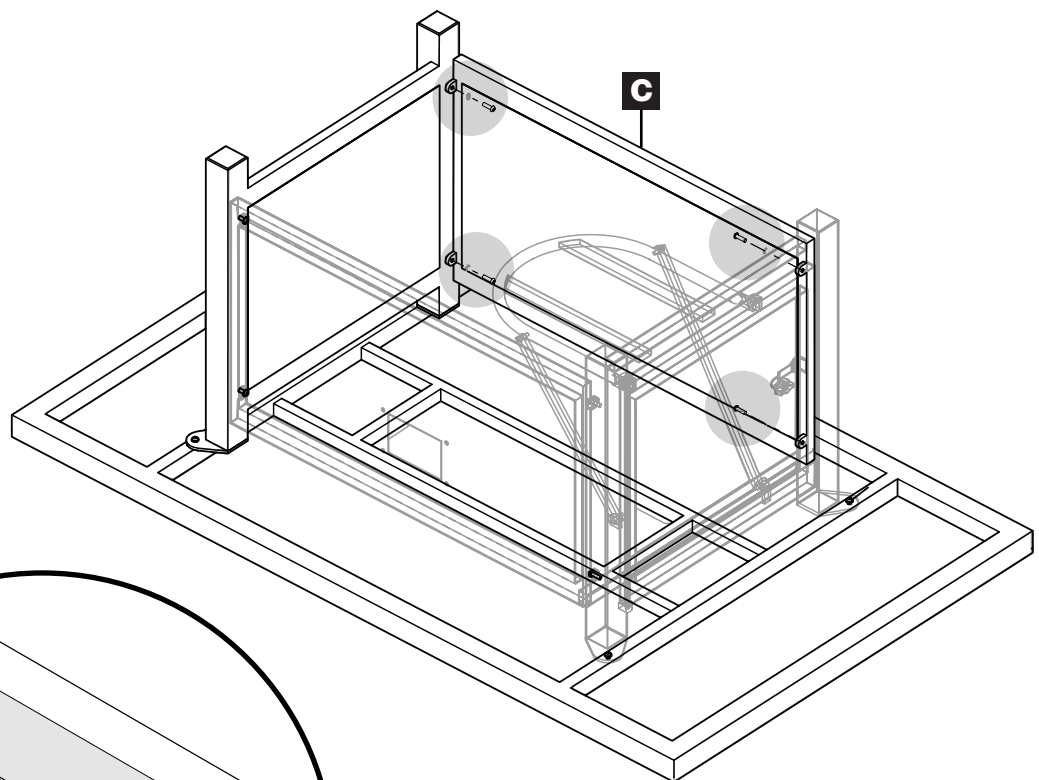
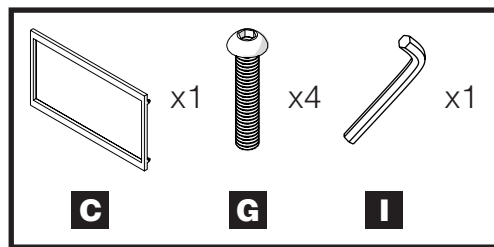


TABLE ASSEMBLY

STEP 5

Loosely secure the side panel to the legs using the M6 x 25mm screws. Now tighten all the screws on the base.



**H
G
I**

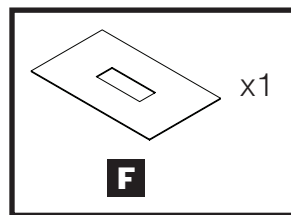
ITS TIME!

Now tighten all the screws with the provided Allen key.

TABLE ASSEMBLY

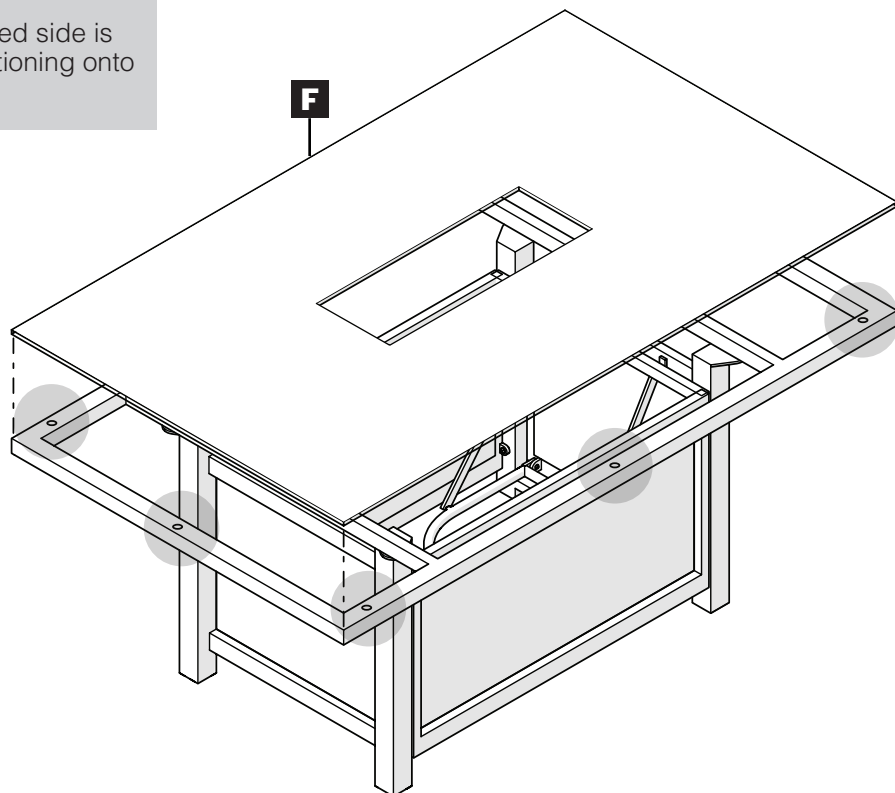
STEP 6

Turn the table over. Position the ceramic table top onto the table top frame ensuring the suction rings are flat.



IMPORTANT!

Ensure the ceramic faced side is facing upright when positioning onto the table top.



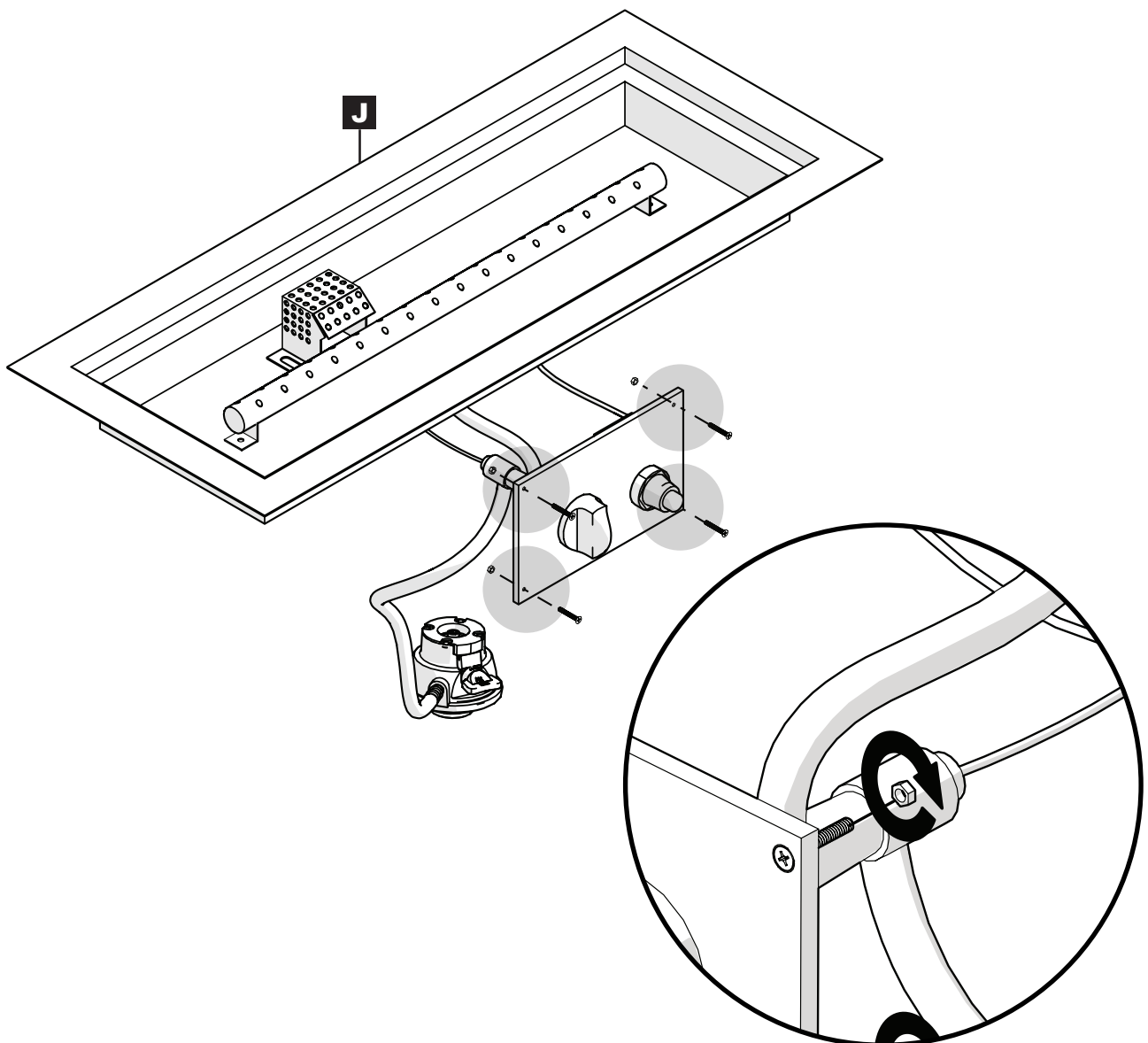
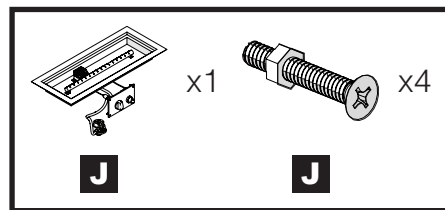
SAFETY WARNING!

Always lift and secure the ceramic table top with two people.

FIREPIT SYSTEM ASSEMBLY

STEP 1

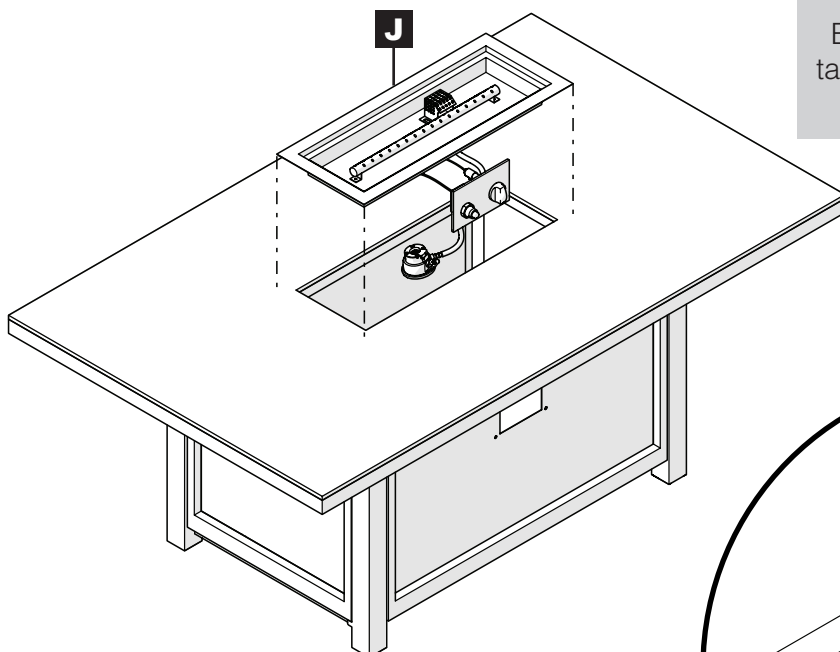
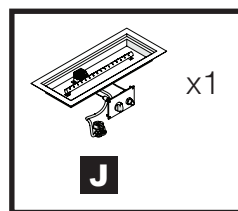
Remove the firepit system control panel nuts. Keep the nuts to one side.



FIREPIT SYSTEM ASSEMBLY

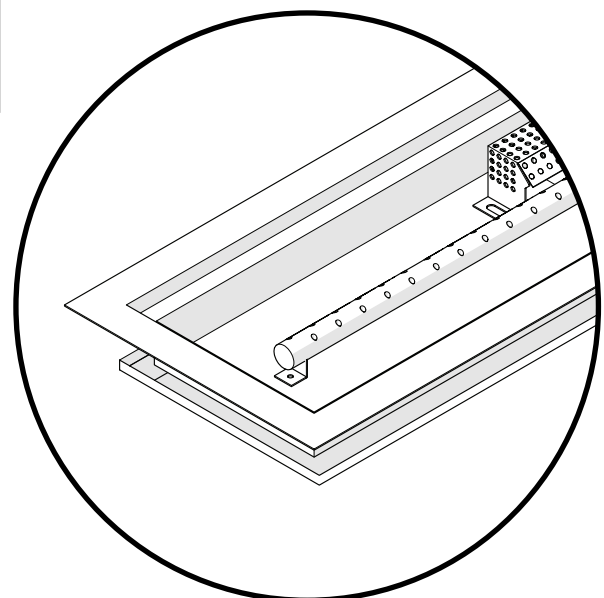
STEP 2

Lower the gas firepit system into the centre of the table, on top of the ceramic table top. Position the regulator, hose and control panel through the table hole before lowering the system onto the ceramic table top edge.



SAFETY WARNING!

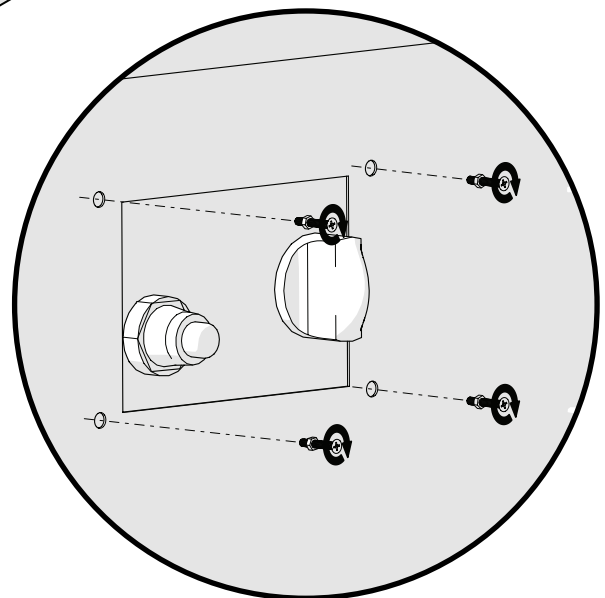
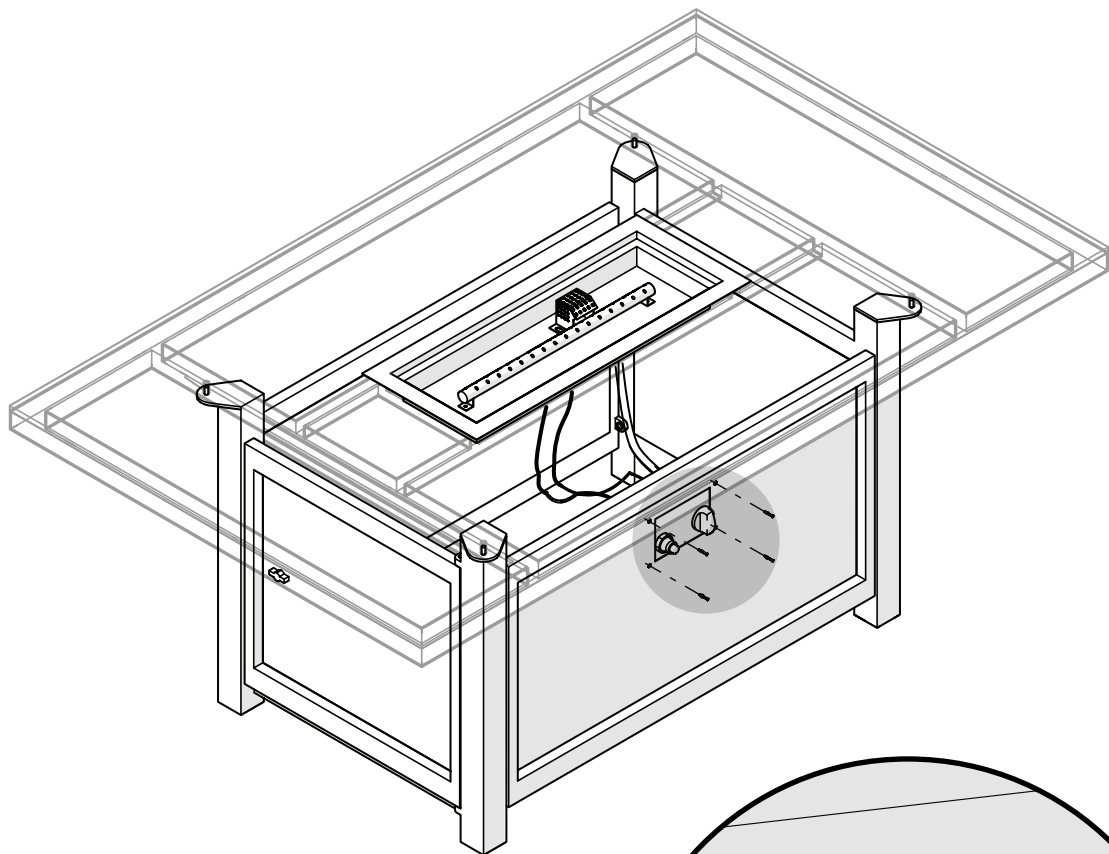
Ensure the gas pipes under the table are not kinked and all wiring is connected.



FIREPIT SYSTEM ASSEMBLY

STEP 3

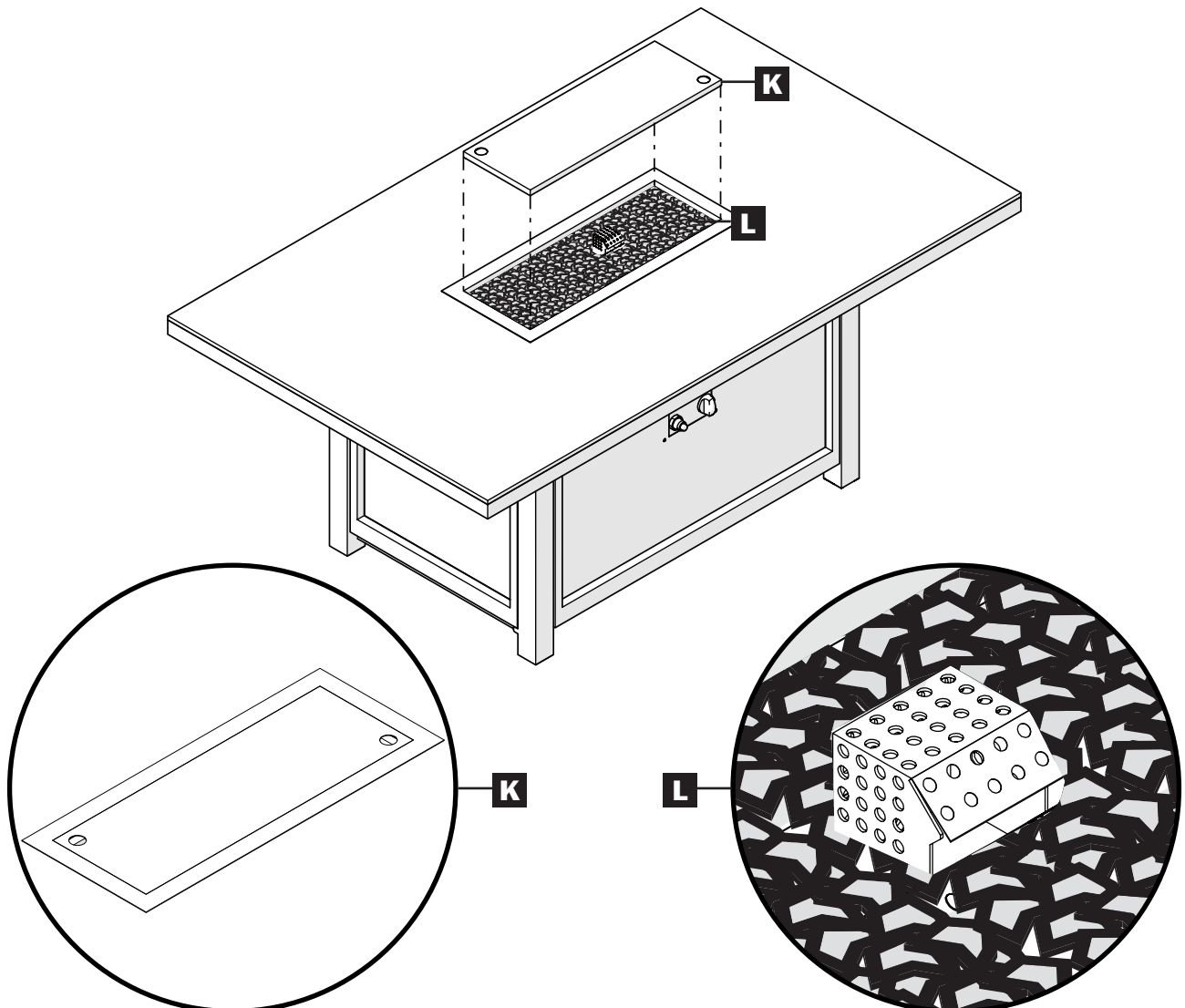
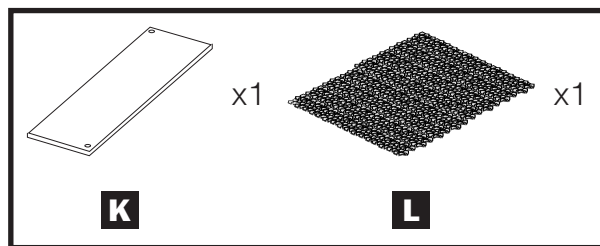
Attach the firepit control panel to the table base. Tighten the control panel onto the base using the nuts previously removed in step 1.



FIREPIT SYSTEM ASSEMBLY

STEP 4

Carefully fill the firepit system with the fireglass. Ensure the pilot cover is not obstructed. Position the firepit lid into the space around the firepit centre. (Always remove the lid before lighting the firepit).

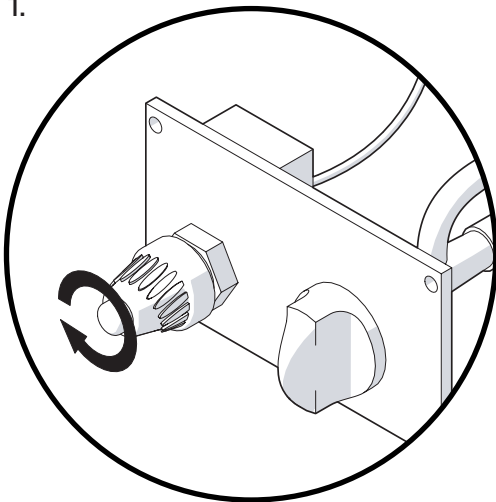


FIREPIT SYSTEM ASSEMBLY

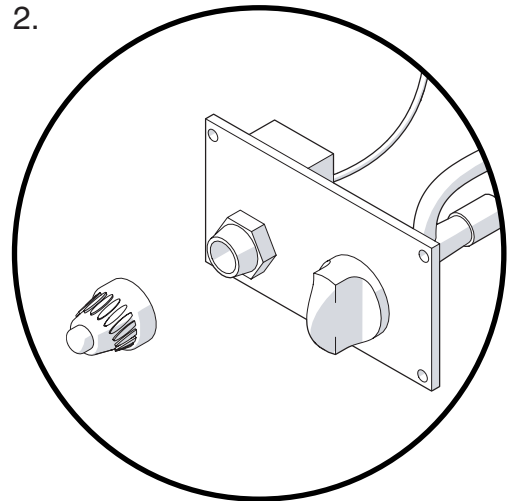
STEP 5

Remove the battery cover. Place 1 x AAA battery into the ignition, ensuring the negative side is inserted first. Once inserted, add the battery cover back onto the control panel.

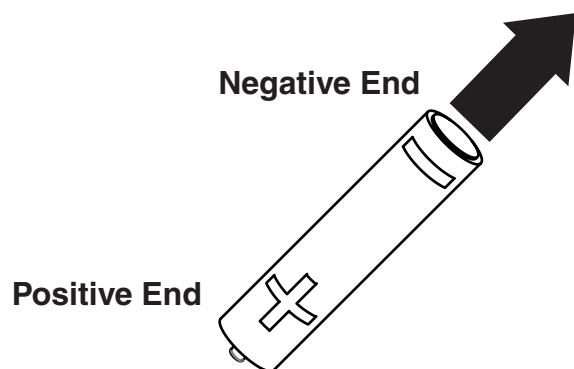
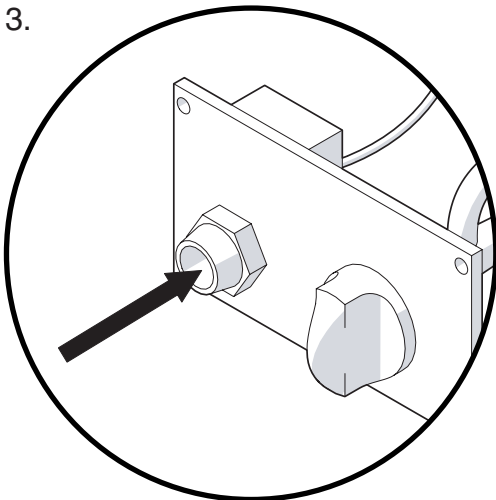
1.



2.



3.



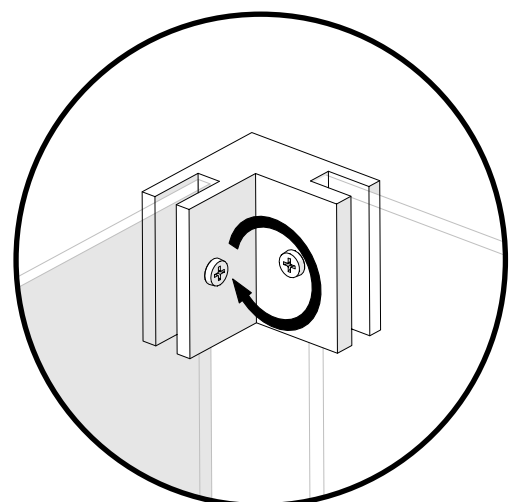
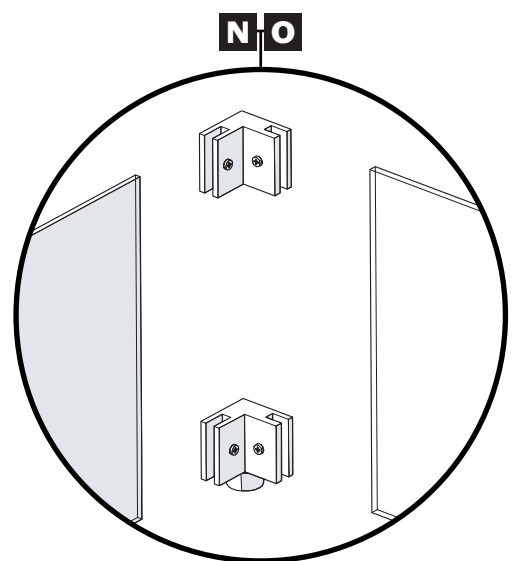
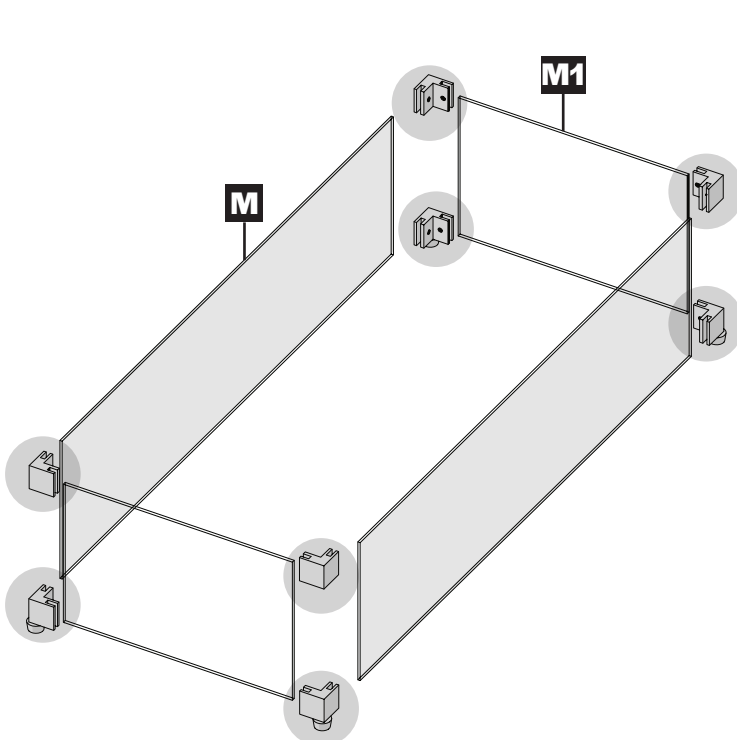
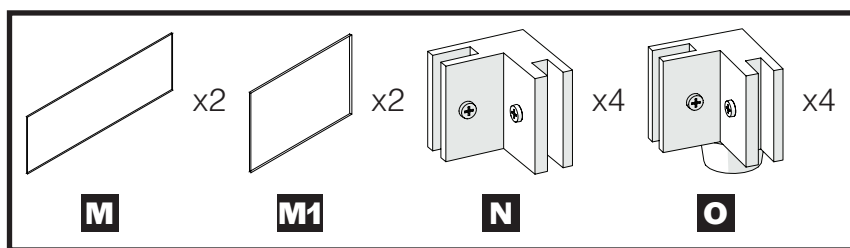

COMPLETE!

Assembly of the firepit system is now complete!

WINDGUARD ASSEMBLY

STEP 1

Loosen all the grub-screws in the connectors with a Phillips screwdriver (not supplied). Loosely position each windguard panel, one at a time, using the top and bottom connectors until a rectangular windguard is formed. **Do not tighten any screws until the windguard is formed.**



CAUTION!

Handle the glass with care when assembling.

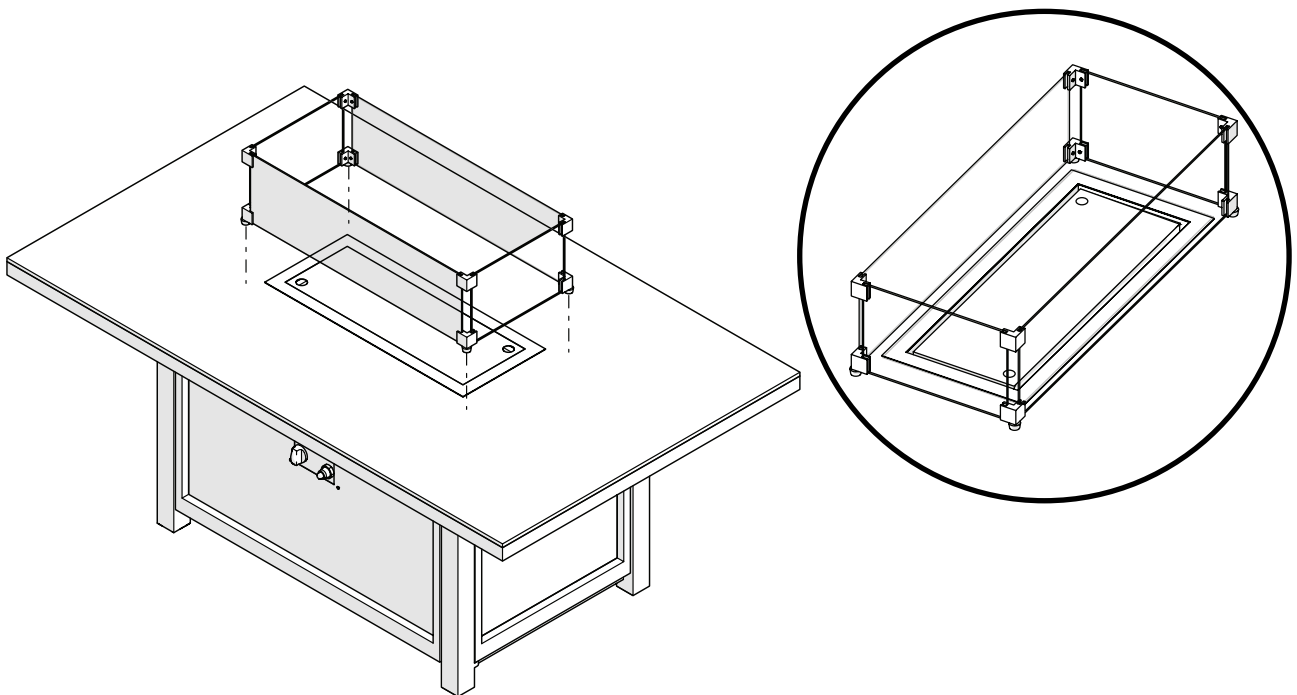
WINDGUARD ASSEMBLY

STEP 2

Once the windguard is formed tighten all the grub screws using a Phillips screwdriver and position the windguard roughly 2 cm around the edge of the firepit system.

SAFETY ADVICE!

We recommend tightening the grub-screws occasionally after use.



✓ COMPLETE!

Assembly of the windguard is now complete!

GAS FIREPIT SYSTEM LEAK TEST

NEVER USE AN OPEN FLAME TO TEST FOR LEAKS AT ANYTIME.

A GAS LEAK TEST MUST BE PERFORMED BEFORE FIRST USE OF THE GAS FIREPIT SYSTEM.

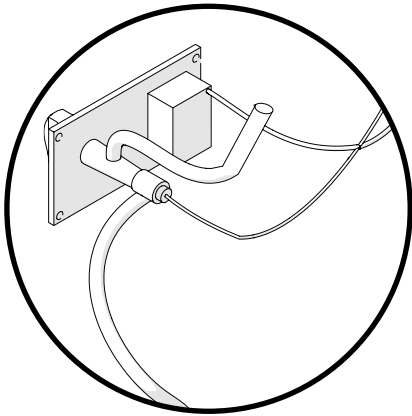
(Perform in a well ventilated area)

1. Confirm all appliance control knobs are in the off position.
2. Open the gas control valve on the gas bottle.
3. Check for leaks by brushing soap solution over all gas system joints, including all valve connections, hose connections and regulator connections. If bubbles form over any of the joints, there is a leak. Turn off the gas supply and retighten that joint.
4. Repeat the test.

If the bubbles form again **STOP** trying and contact your local retailer for assistance.

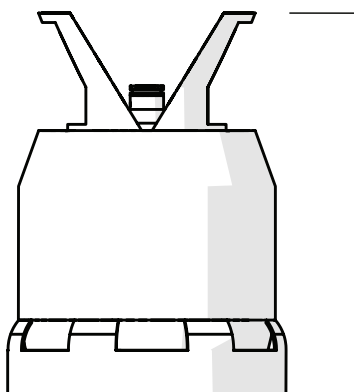
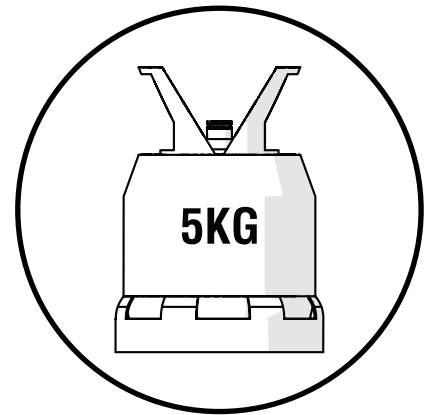
LEAK TEST ANNUALLY AND WHENEVER THE GAS BOTTLE IS REMOVED OR REPLACED.

BEFORE LIGHTING YOUR FIREPIT



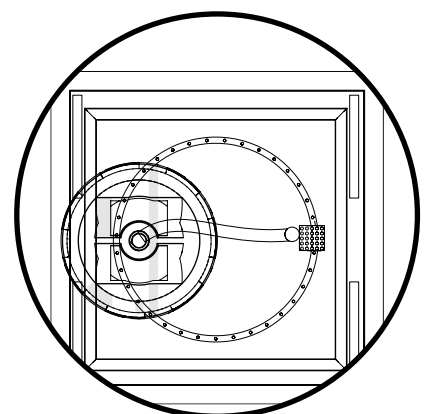
- Check all fixings on the gas firepit system are securely tightened before first use.

- Ensure a 5kg patio gas bottle is used with the gas firepit system.

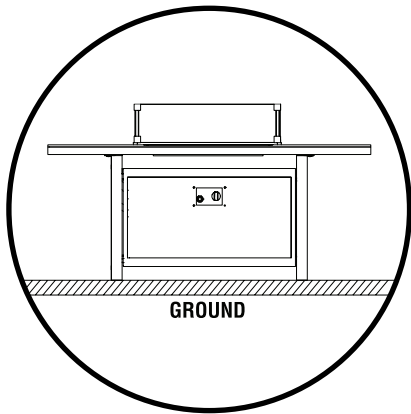


- Ensure the gas bottle measures no more than 39cm tall.

- Ensure the gas bottle is not placed directly under the firepit system.

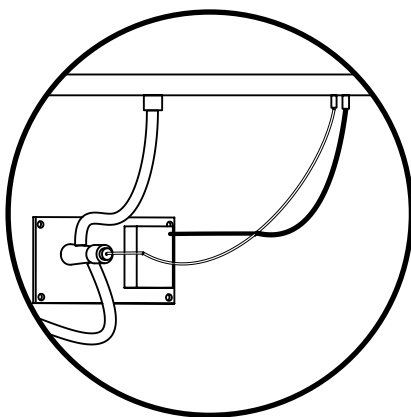
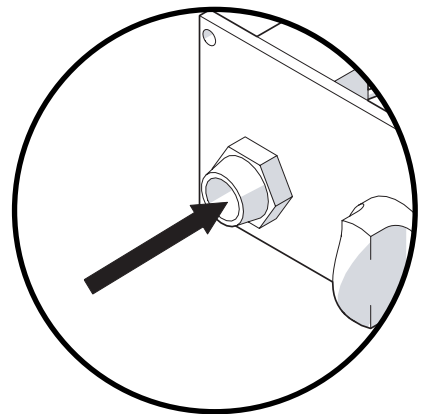


BEFORE LIGHTING YOUR FIREPIT



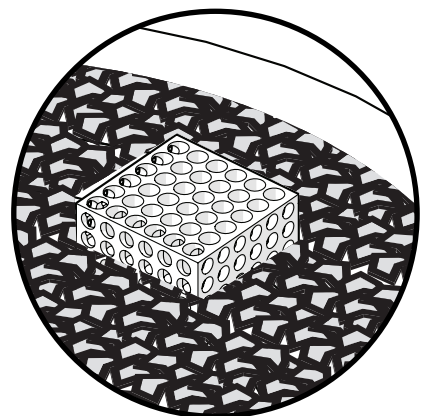
- Check the table is positioned on flat, solid ground.

- 1 x AAA battery must be inserted into the ignition, position within the control panel.

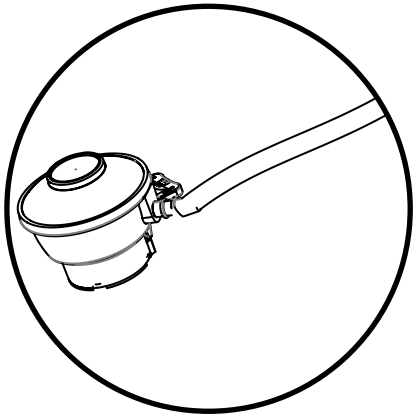


- Ensure the black wire from the system is connected to the igniter.

- Ensure the pilot cover is free from the crushed fireglass.

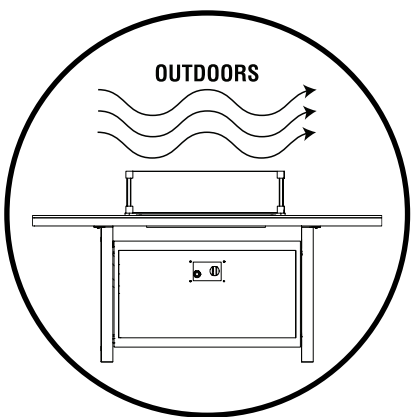
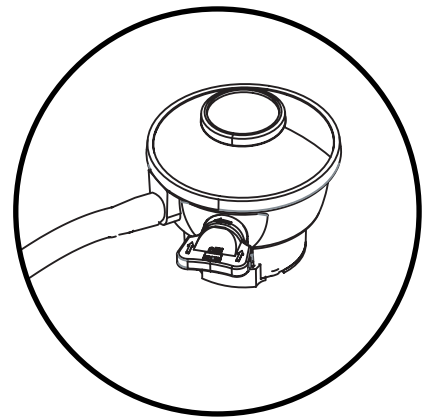


BEFORE LIGHTING YOUR FIREPIT



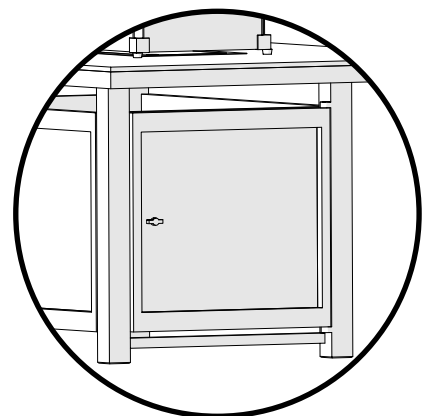
- Ensure all gas pipes are not bent or kinked.

- Ensure the regulator is facing down, once the gas bottle is connected.



- Make sure the table is used outdoors in a well ventilated area.

- Ensure the door stays closed throughout use to prevent anything entering.



CARE & MAINTENANCE & WARRANTY INFORMATION

Our range of Aluminium Furniture is designed for continual outdoor use. The aluminium frame ensures that you can leave it outside all year round.

ALUMINIUM CARE

The aluminium framework is incredibly low maintenance and is resistant to UV rays, salt water, frost and snow and requires only basic care to keep it clean.

To clean, simply use a soft cloth that is damp with warm soapy water and wipe down. This can be left outside all year round.

CERAMIC TABLE TOP CARE

To clean, simply use a soft cloth that is damp with warm soapy water and wipe down. This can be left outside all year round.

WARRANTY INFORMATION

We regret to inform you that warranty claims cannot be accepted without proof of purchase. Warranties are valid from the date of delivery to the original purchaser only. For us to help you, please ensure all warranty terms have been adhered to.

The warranty applies to residential domestic use within the UK only. It does not cover commercial use, misuse, accidental damage or normal wear and tear. We reserve the right to repair and/or replace parts rather than a complete item at our discretion.

