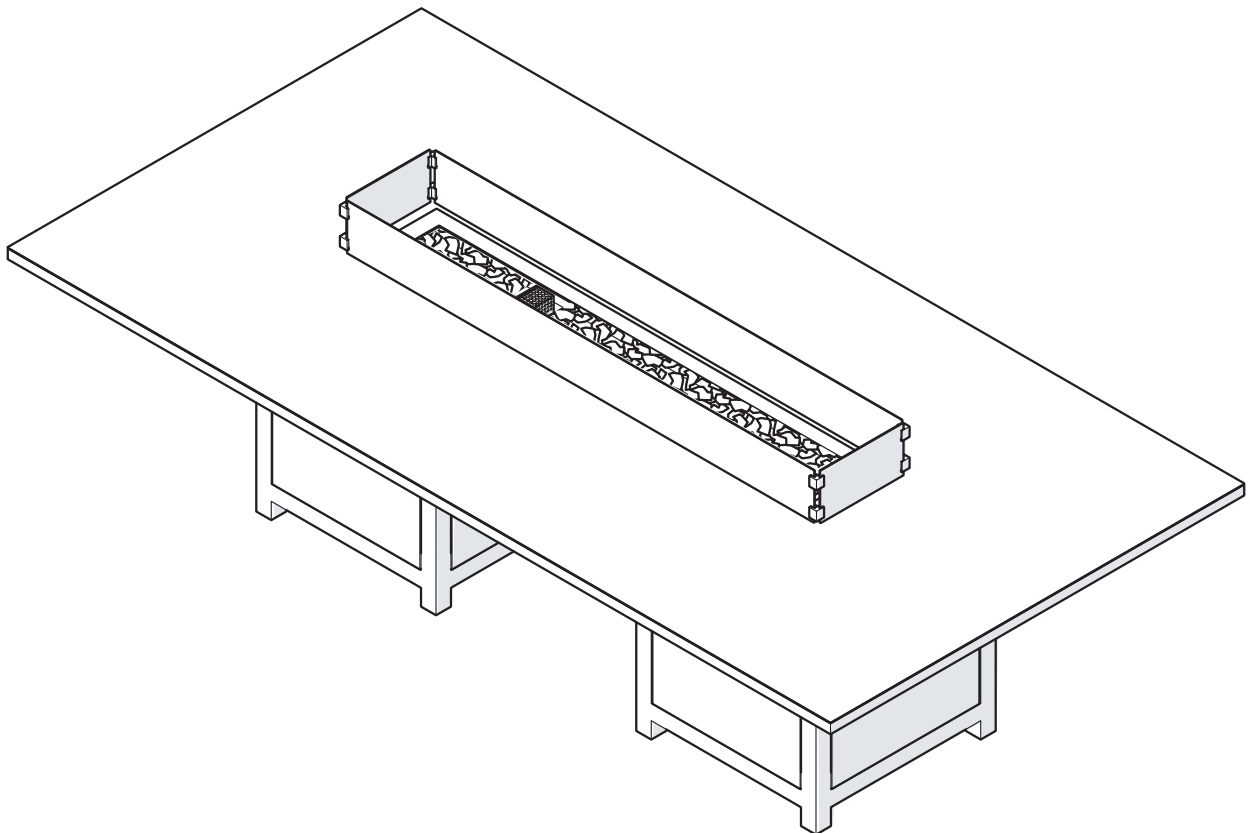




## 2M X 1M RECTANGULAR ALUMINIUM FIREPIT TABLE

SKU: FLAME200-123 / FLAME200-124

2021 V1.0

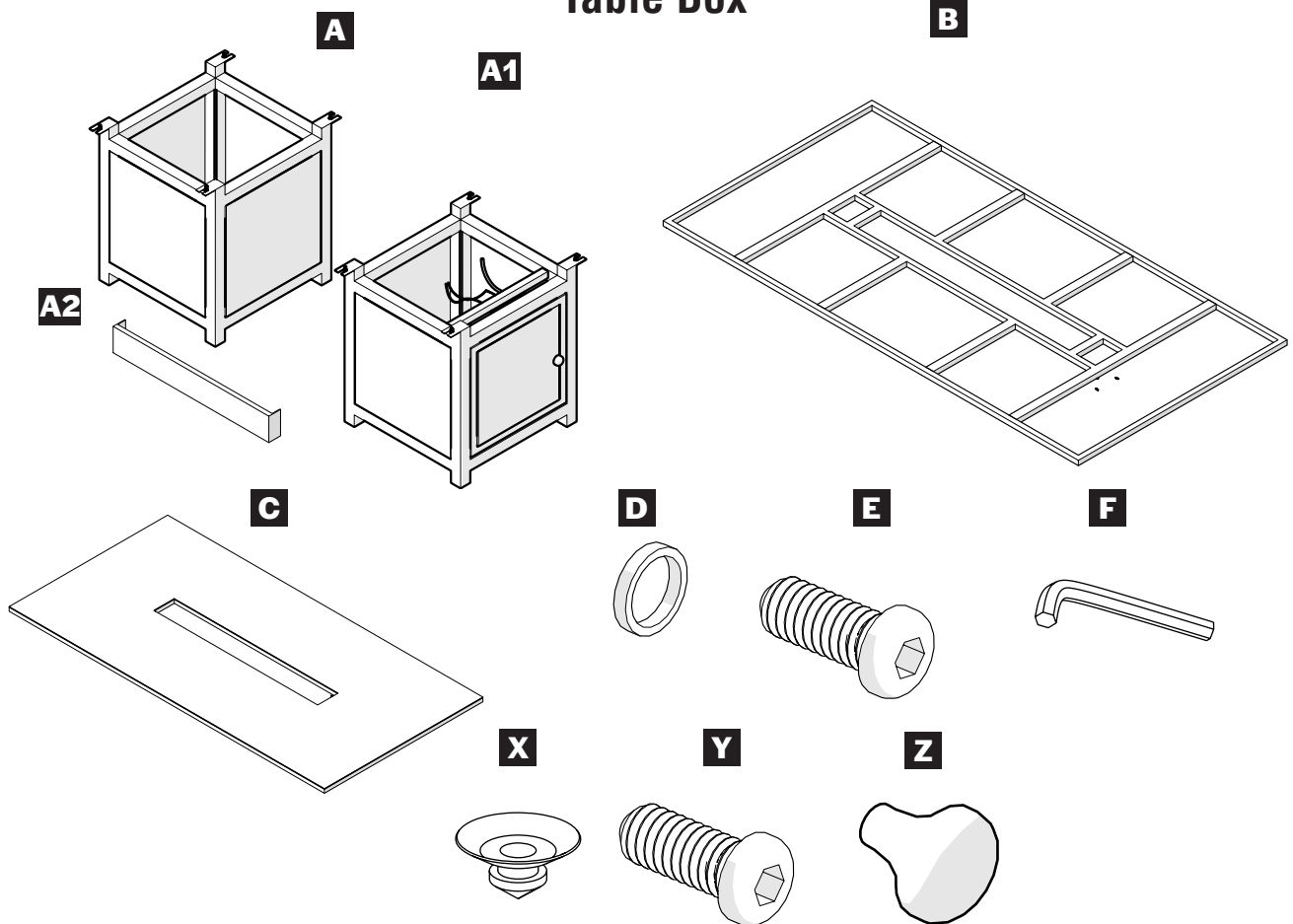


### IMPORTANT NOTICE

THIS BOOKLET CONTAINS USEFUL INFORMATION ABOUT WARRANTY & CARE INSTRUCTIONS. PLEASE KEEP FOR FUTURE REFERENCE.

## PARTS LIST

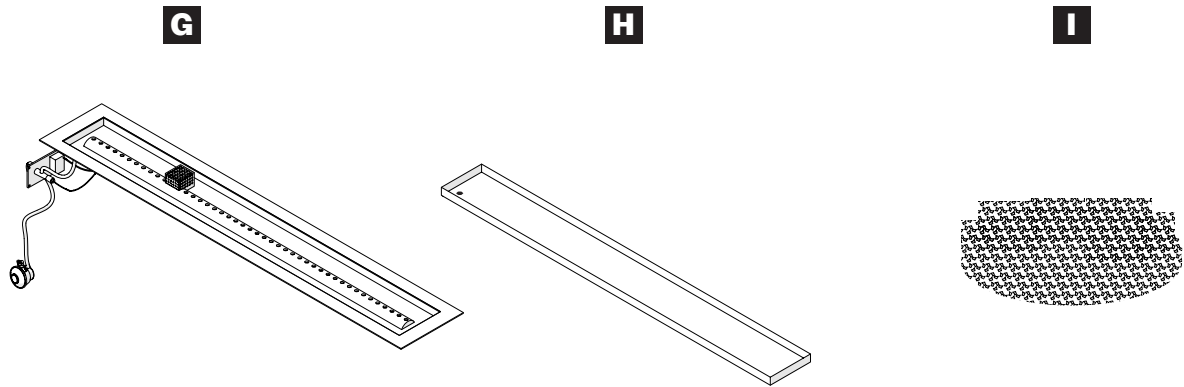
### Table Box



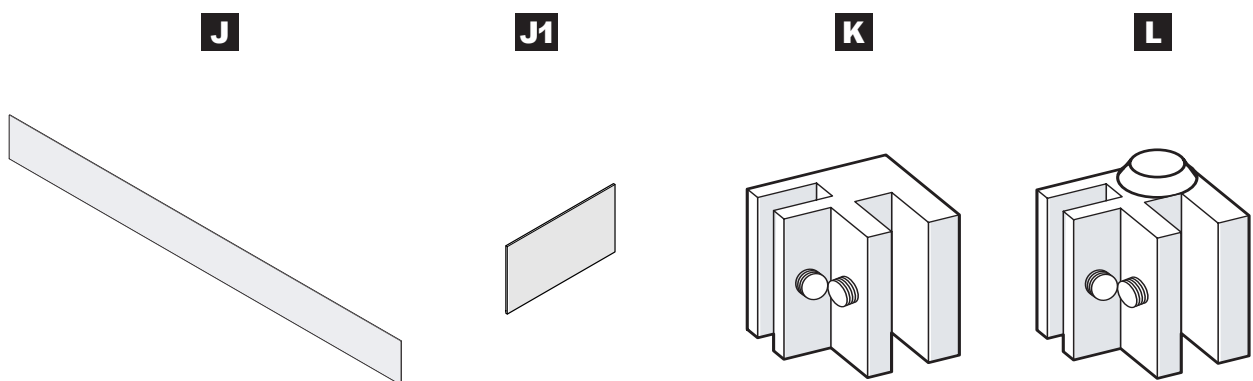
Part	Qty	Part Name
A	1	Table Base
A1	1	Table Base With Door
A2	2	Support Bar
B	1	Table Top
C	1	Glass
D	4	Washer
E	16	M6 x 20mm Screw
F	1	Allen Key
X	22	Suction Ring
Y	1	M6 x 40mm Screw
Z	1	Door Handle

PARTS LIST

Firepit System Box



Windguard Box



Part	Qty	Part Name
G	1	Firepit System
H	1	Stainless Steel Lid Cover
I	1	Onyx Coloured Fireglass
J	2	Long Winguard Panel
J1	2	Short Winguard Panel
K	4	Top Connector For Rectangular Windguard
L	4	Bottom Connector For Rectangular Windguard

## SAFETY ADVICE

### BEFORE YOU START:

- Ensure that you read this manual before starting to assemble your item(s).
- Check that you have all parts from the above part list. Do not throw away any packaging until you are confident that you have all parts.
- Assemble this product on a soft/flat surface. Put any glass safely to one side until it is required and keep any plastic bags, tools and fittings away from children.
- Throughout the assembly process, make sure all fittings are only finger tight. Upon completion, securely tighten all fittings.
- After prolonged use we recommended to you check all the fittings are tightened securely.
- Please do not modify this product, use other tools or substitute parts to build your item(s), this will void your warranty.
- 1 x AAA battery (not supplied) is required for the fire pit system.
- The firepit system requires a 5kg patio gas propane bottle.

## SAFETY ADVICE

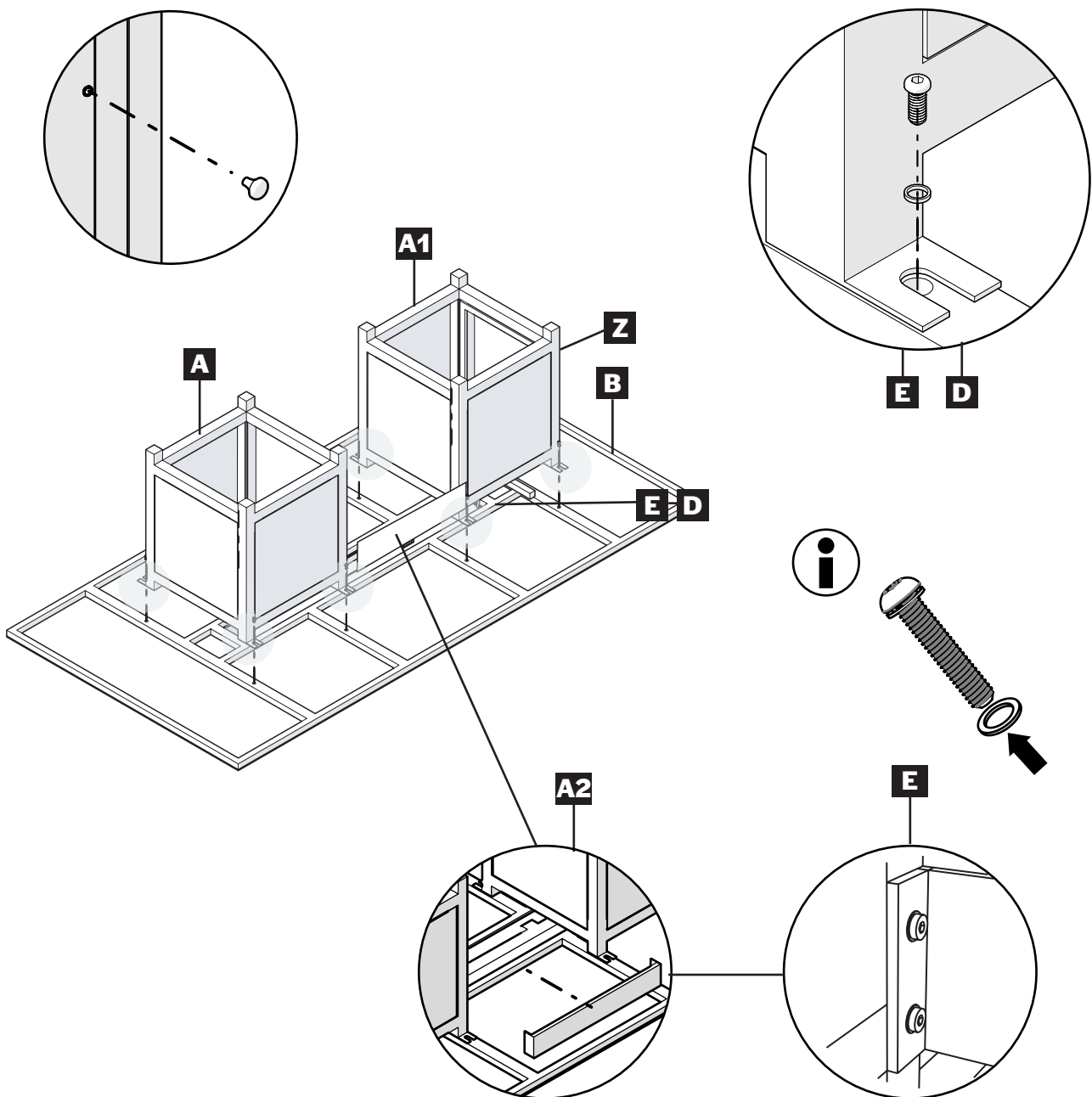
### FAMILIARISE YOURSELF WITH THE FOLLOWING SAFETY ADVICE:

- To avoid danger, please keep all plastic bags away from children and do not leave tools unattended during the assembly.
- Depending on the item(s) you have ordered, there may be heavy parts within this packaging. Ensure you lift with the correct posture & technique. Please get help moving and/or lifting if necessary.
- Please only use this product for its intended purpose as outdoor furniture within a residential environment. Failure to do so will void your warranty.
- Westminster Outdoor Living holds no responsibility for any damages caused due to normal wear and tear, incorrect assembly, misuse and/or negligence
- We reserve the right to make changes for product improvements.
- Please recycle packaging where possible.
- Firepit tables must be used OUTDOORS only
- The wind guard is purely that and will not prevent the surrounding area from heating up. It prevents the flame from being blown across the table, only and will get hot.
- The crushed glass is heat resistant and is for decoration to cover the pan and fire pit system. The ring burner can be covered in crushed glass, however, the pilot cover cannot be covered or the flame will fail to ignite.
- The pan area should be kept clean at all times and can be cleaned with a damp cloth.
- To release the gas bottle you press the button under the regulator. This will only work if the gas is switched off.
- Never move the firepit table whilst in use.
- Make sure the firepit table is cool down before applying any protective cover.

## TABLE ASSEMBLY

### STEP 1

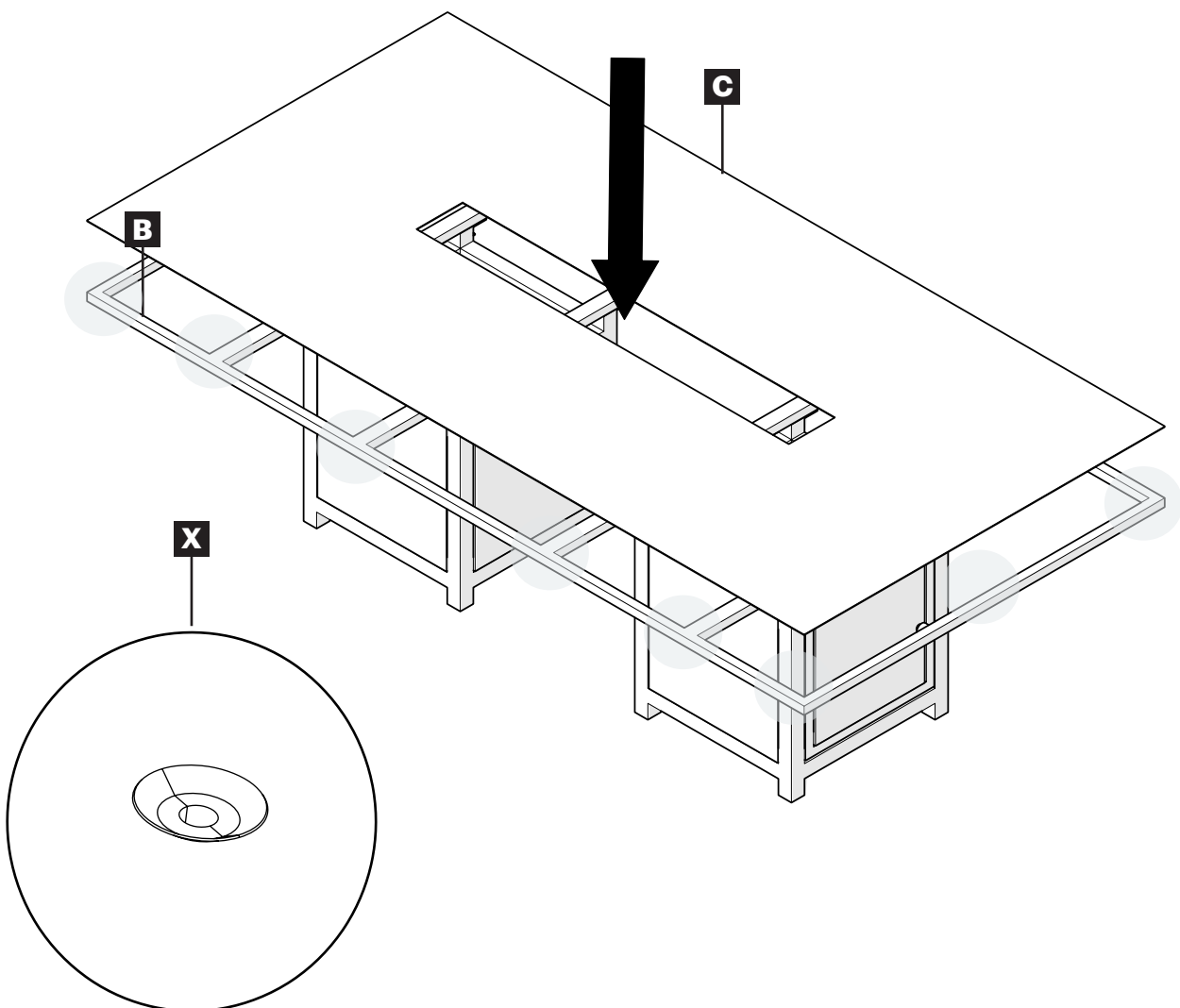
Secure the handle (Z) with the M6 x 40mm screw (Y) to the door found on the table base (A1). Loosely secure the table base (A + A1) onto the table top (B) using 8 x M6 x 20mm screws (E), 8 x washers (D). Lastly secure the 2 x support bars (A2) with 8 x M6 x 20mm screws (E) using the allen key (F).



## TABLE ASSEMBLY

### STEP 2

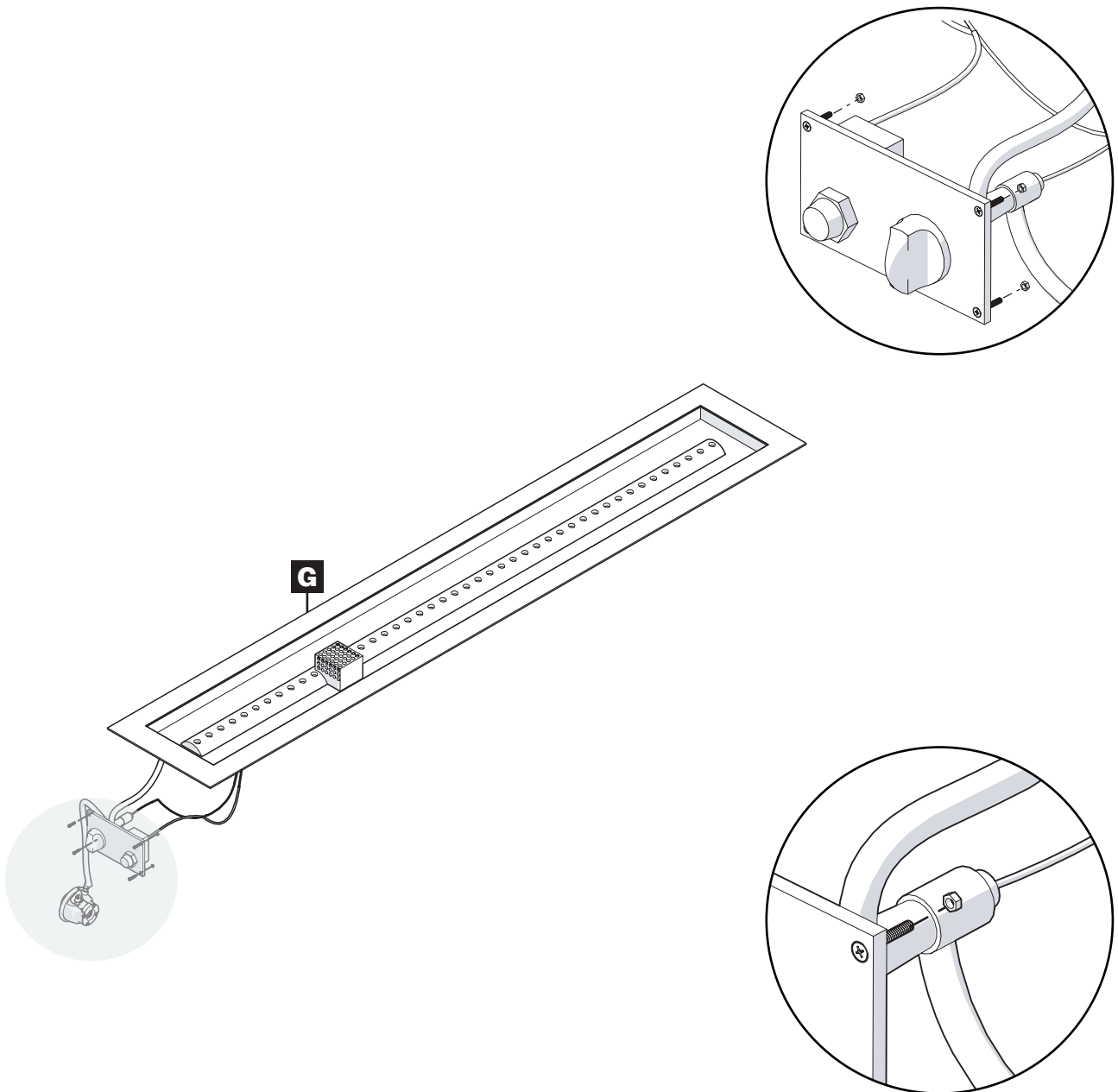
Turn the table top (B) and legs (A+A1) over. Add the suction cups (X) Secure the glass (C) onto the table top frame (B), ensuring the suction cups are flat.



## FIREPIT SYSTEM ASSEMBLY

### STEP 3

Unscrew the firepit system control panel nuts. Keep the nuts to one side.

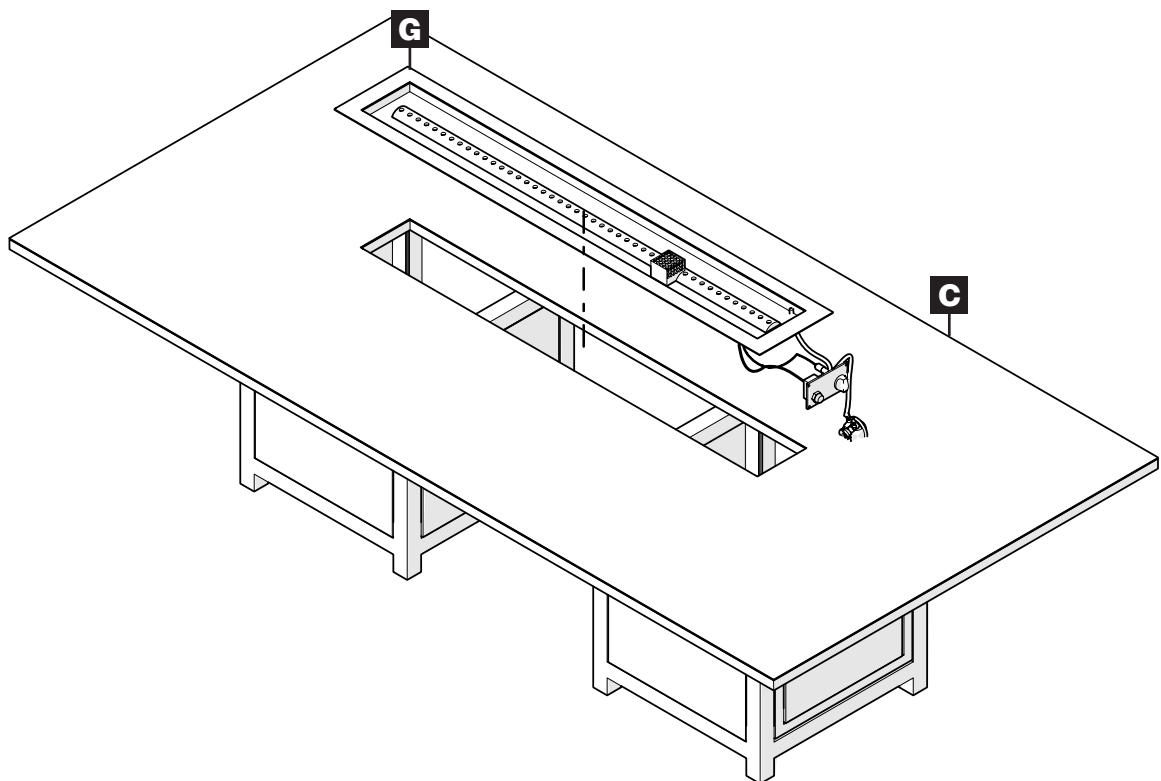




## FIREPIT SYSTEM ASSEMBLY

### STEP 4

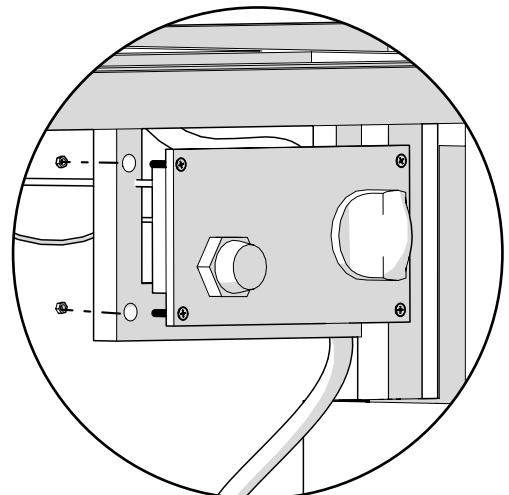
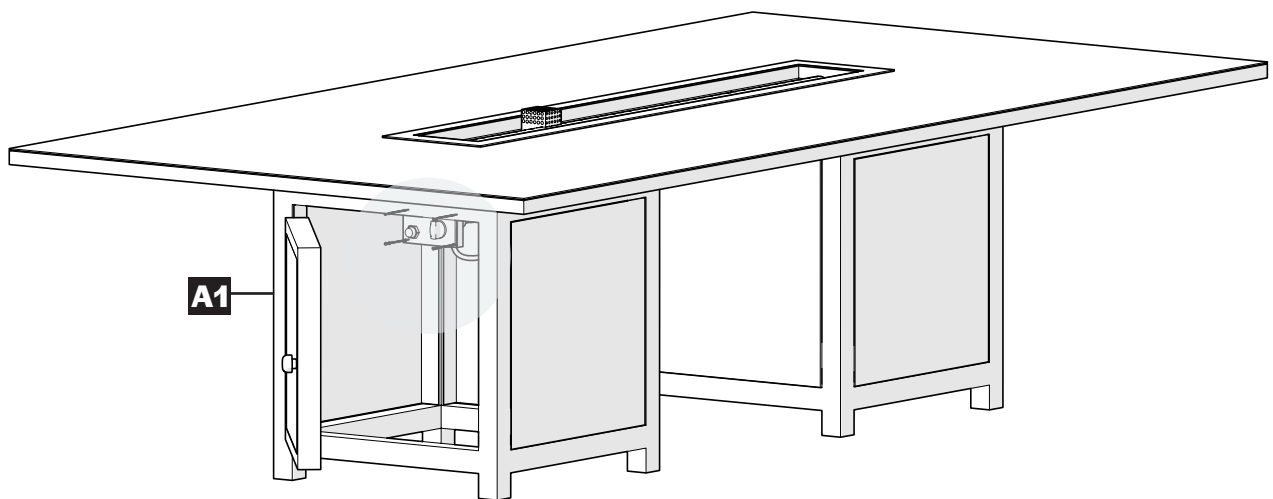
Lower the gas firepit system (G) into the centre of the table, positioning the regulator, hose and control panel through the table hole before lowering the system into place.



## FIREPIT SYSTEM ASSEMBLY

### STEP 5

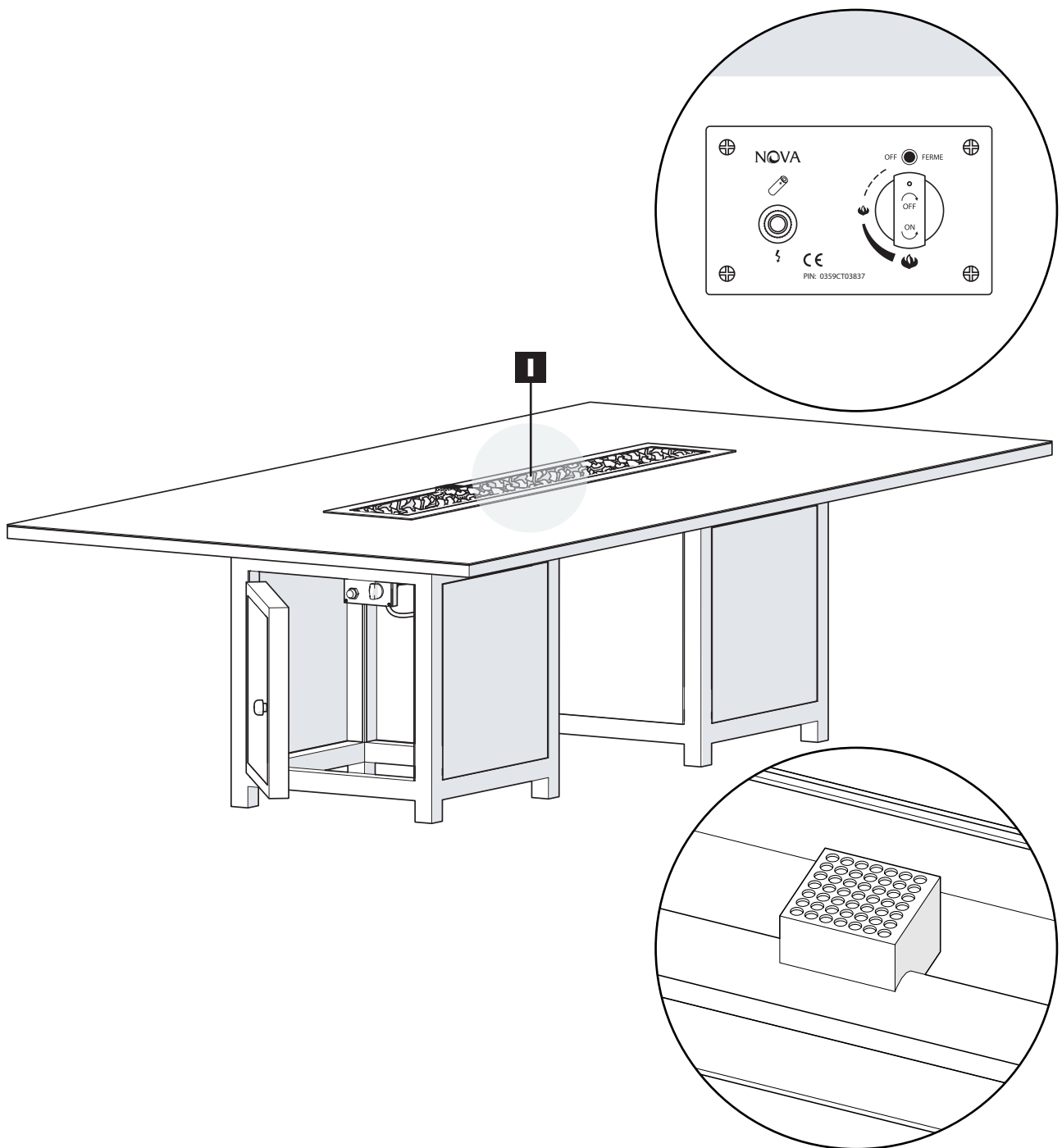
Attach the firepit control panel to the table base (A1). Tighten the control panel onto the frame using the nuts previously removed from the control panel.



## FIREPIT SYSTEM ASSEMBLY

### STEP 6

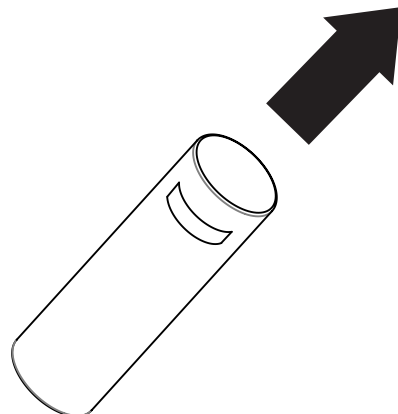
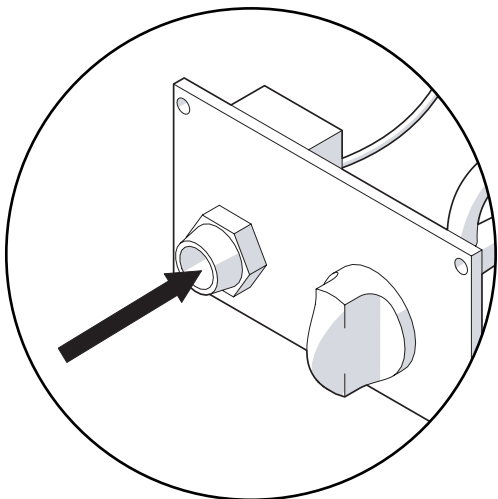
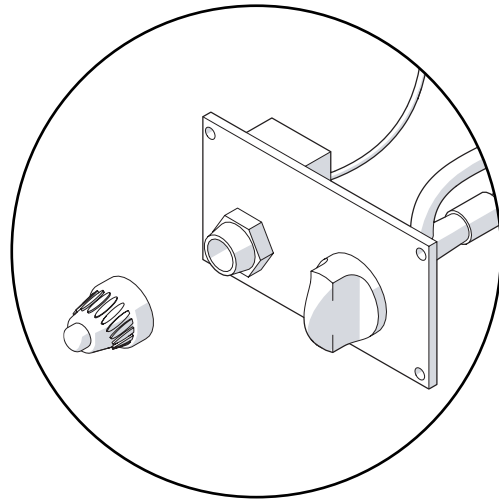
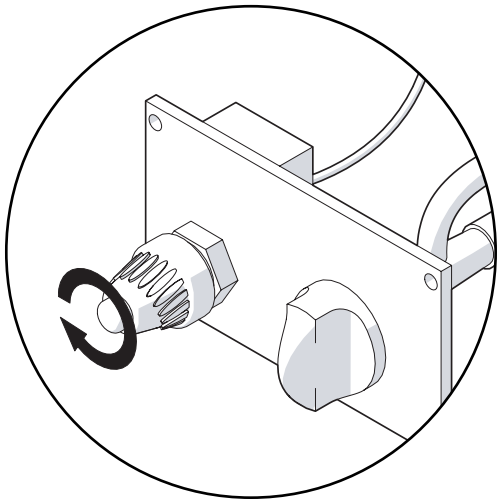
Carefully fill the firepit system with the fireglass (I) ensuring the pilot cover is not obstructed. Ensure the gas pipes under the table are not kinked and all wiring is connected.



## FIREPIT SYSTEM ASSEMBLY

### STEP 7

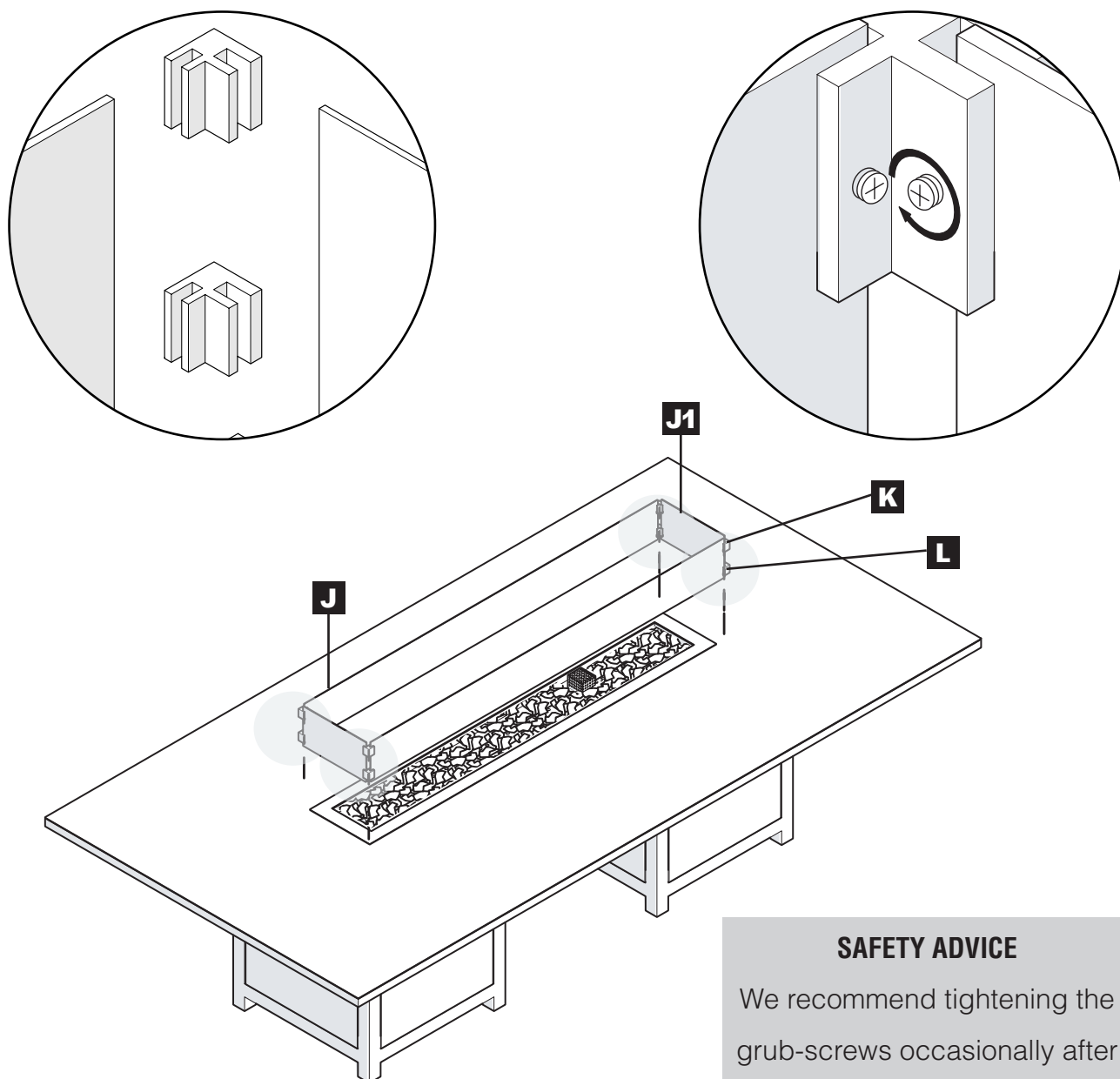
Remove the battery cover. Place 1 x AAA battery into the ignition, ensuring the negative side is inserted first.



## WINDGUARD ASSEMBLY

### STEP 8

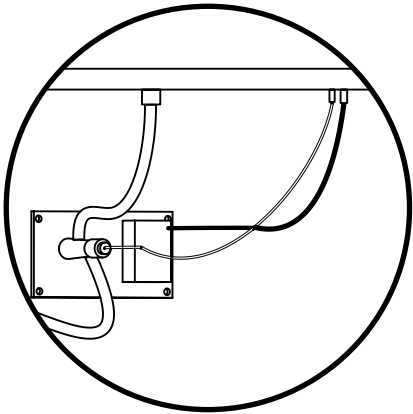
Loosen all the grub-screws in the 8 x connectors (K + L) with a phillips screwdriver (not supplied). Loosely secure each windguard panel (J + J1), one at a time, using the top and bottom connectors (K + L) until a rectangular windguard is formed. **Do not tighten any screws until the windguard is formed.**



#### SAFETY ADVICE

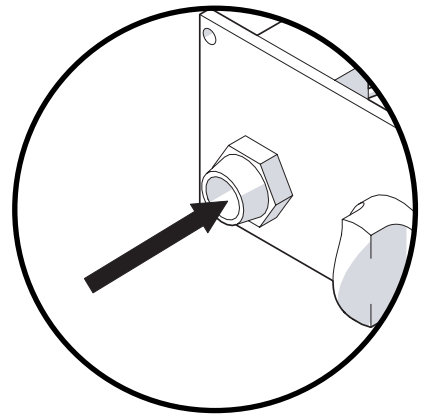
We recommend tightening the grub-screws occasionally after use.

## TROUBLESHOOTING

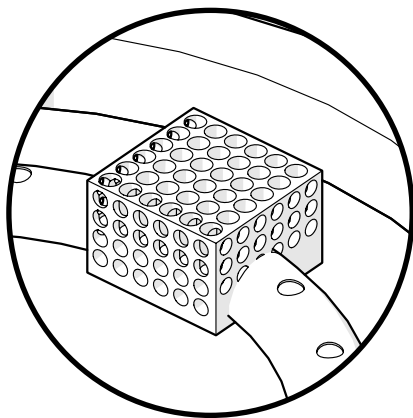


- Ensure the black wire from the system is connected to the igniter.

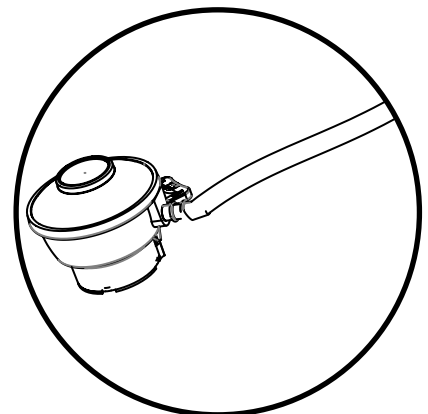
- 1 x AAA battery must be inserted into the ignition, position within the control panel.



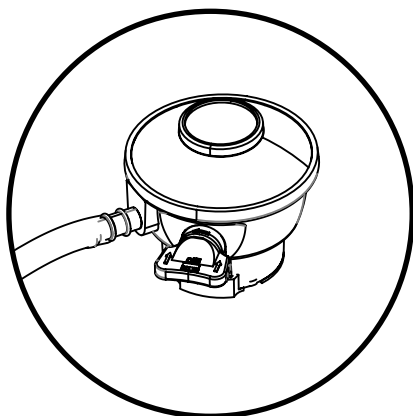
- Ensure the pilot cover is free from the Onyx glass.



- Ensure all gas pipes are not bent or kinked.



- Ensure the regulator is facing down.



# CARE, MAINTENANCE & WARRANTY INFORMATION

Our range of aluminium furniture is designed for continual outdoor use. The aluminium frame ensures that you can leave it outside all year round.

## ALUMINIUM CARE

The aluminium framework is incredibly low maintenance and is resistant to UV rays, salt water, frost and snow and requires only basic care to keep it clean.

To clean, simply use warm soapy water and a damp cloth wipe down. This framework can be left outside all year round.

## WARRANTY INFORMATION

We regret to inform you that warranty claims cannot be accepted without proof of purchase. Warranties are valid from date of purchase, to the original purchaser only. For us to help you, please ensure all warranty terms have been adhered to.

The warranty applies to residential domestic use within the UK only. It does not cover commercial use, misuse, accidental damage or normal wear and tear. We reserve the right to repair and/or replace parts rather than a complete item at our discretion.

# **WESTMINSTER**

