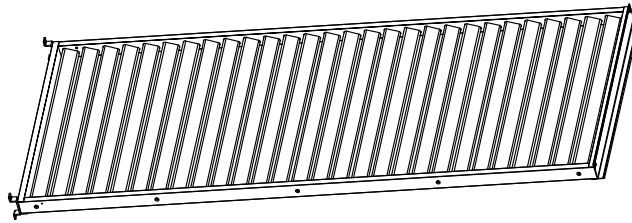



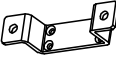
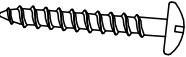
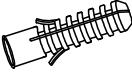
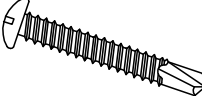






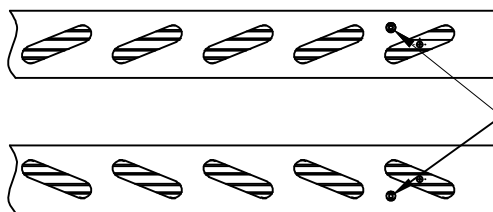
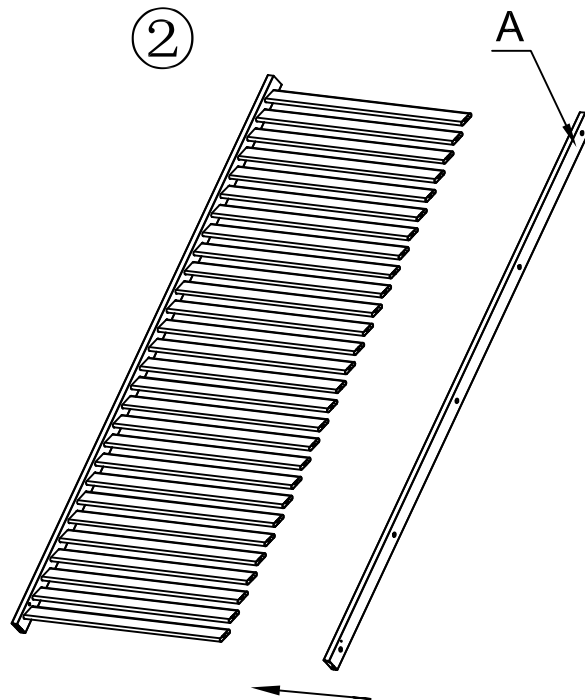
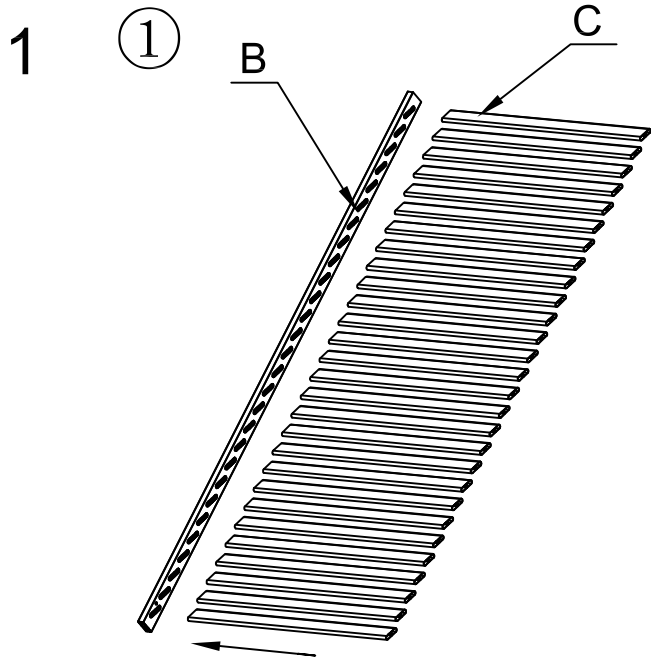


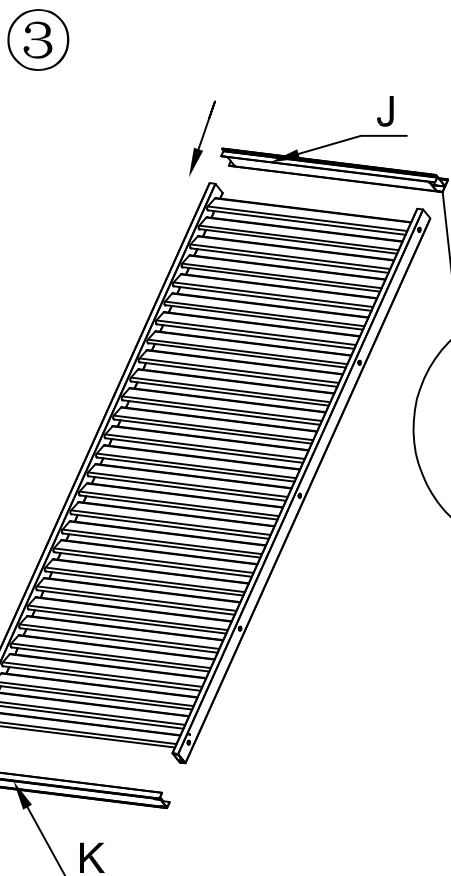
Shutter wall



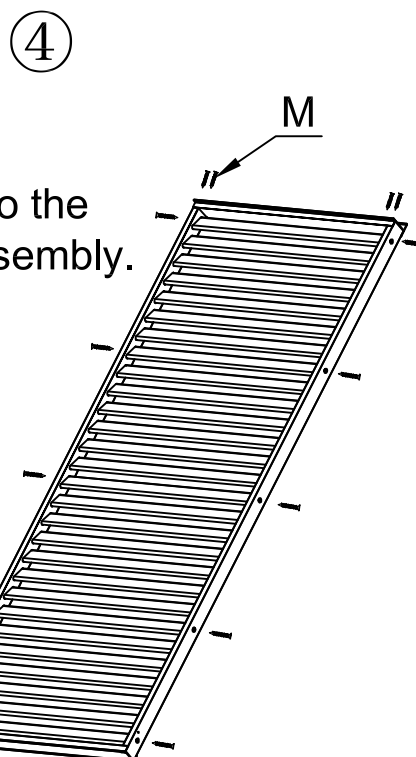
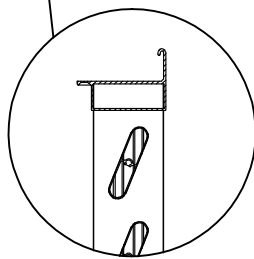
REF	PARTS	QTY	SPECS
A		1	
B		1	
C		28	
D		2	
E		4	ST5.5X50
F		4	8X40
G		2	ST4.8X38
H		2	ST4.8X25
I		11	ST4.8X30
J		1	
K		1	
L		2	
M		13	ST4.2X25



There's a hole, this side down.
After standing up, the side close to the hole faces out.



Pay attention to the direction of assembly.

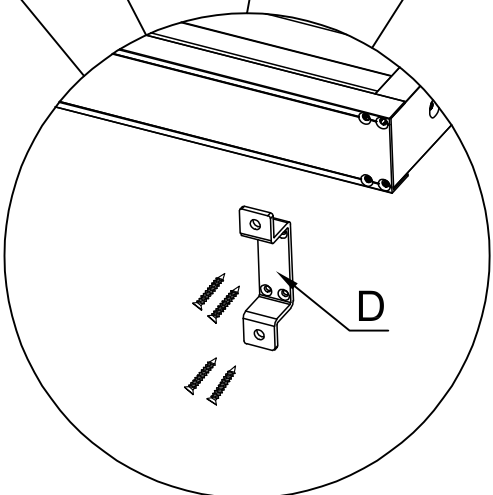
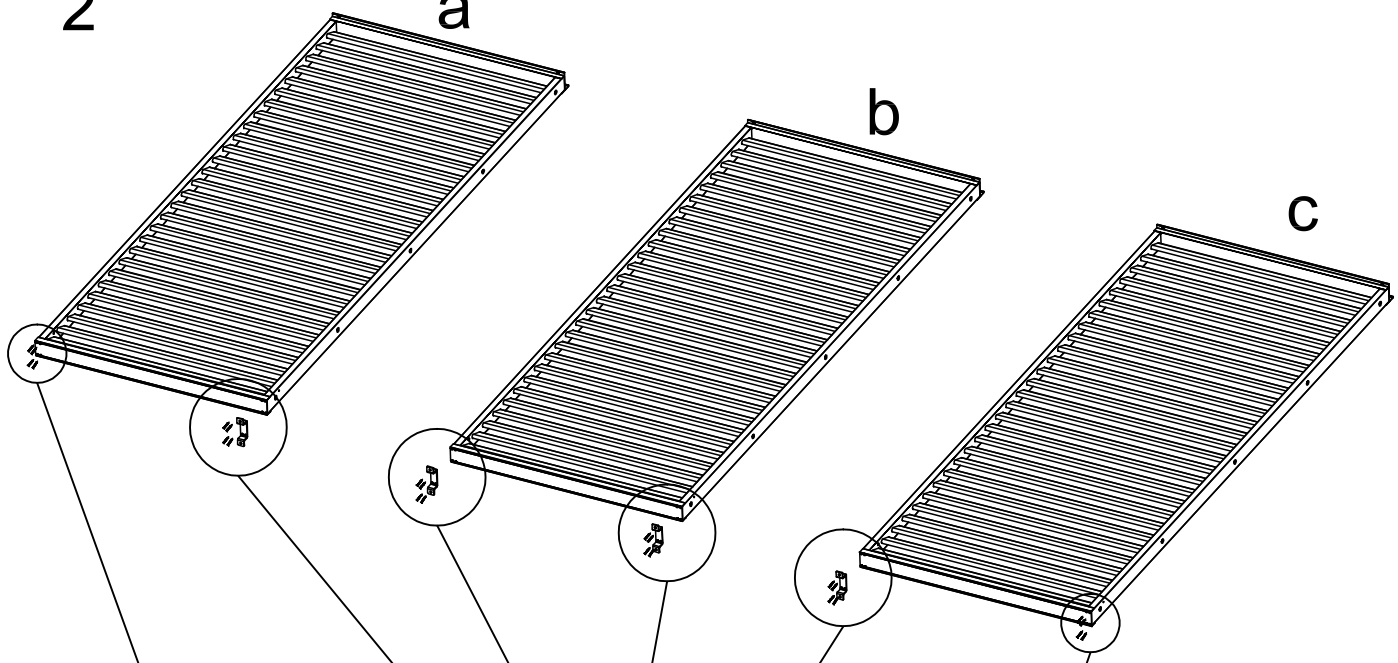


2

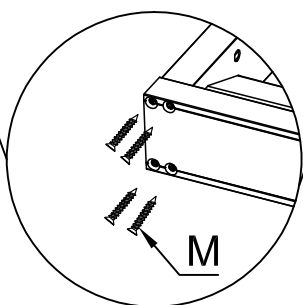
a

b

c

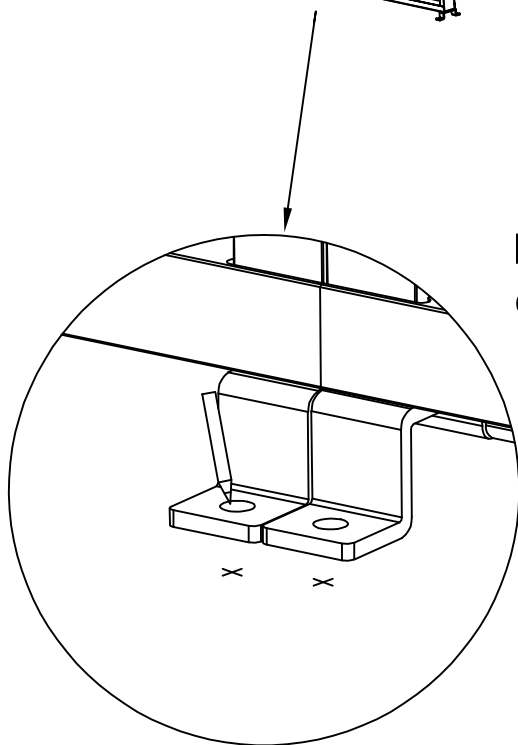


Install the aluminum foot pad.

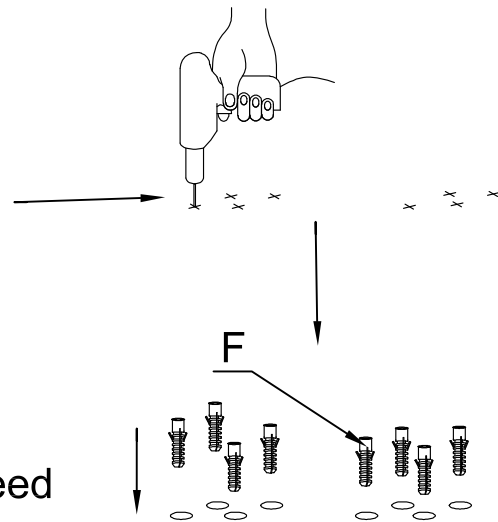


Don't install the aluminum foot pad.

3

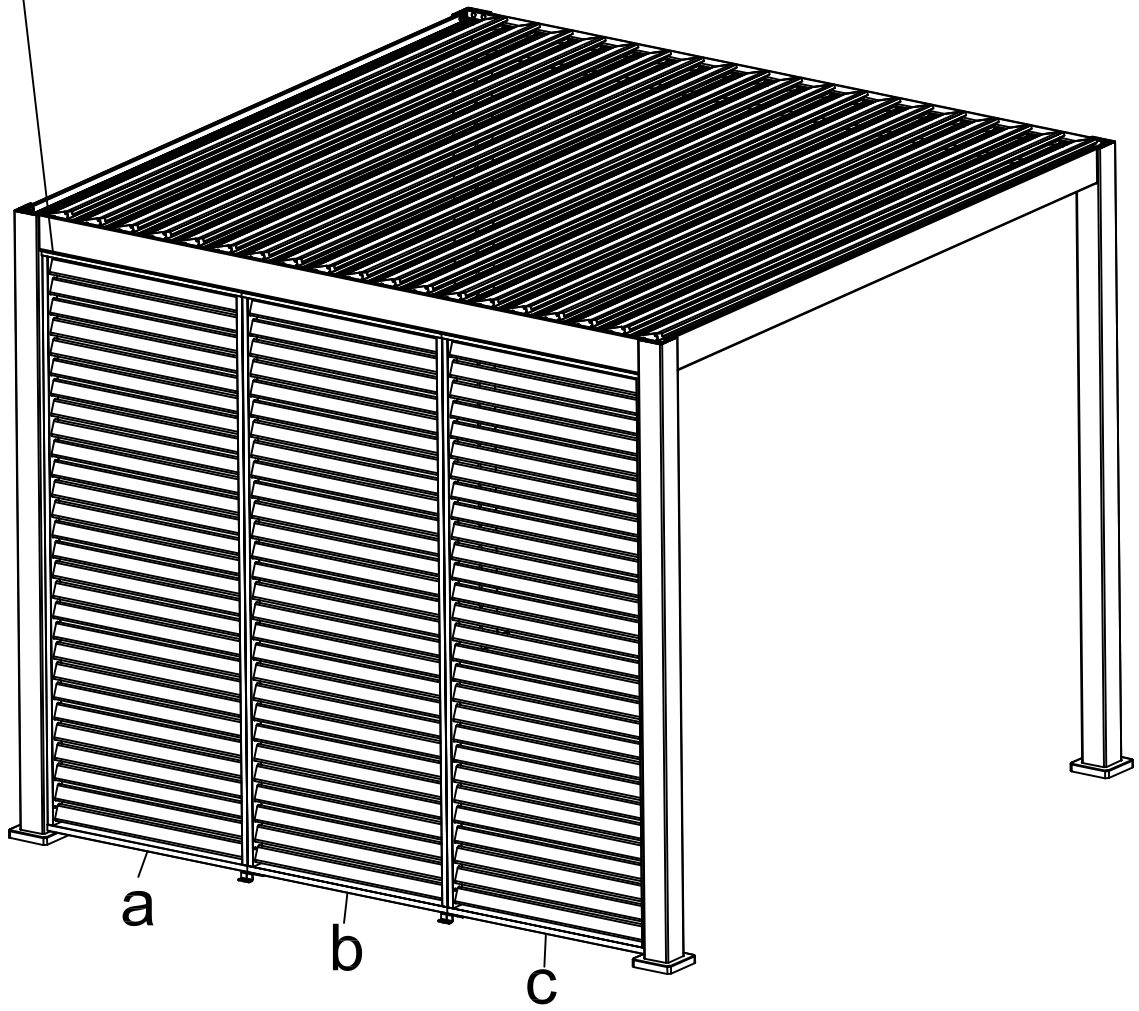
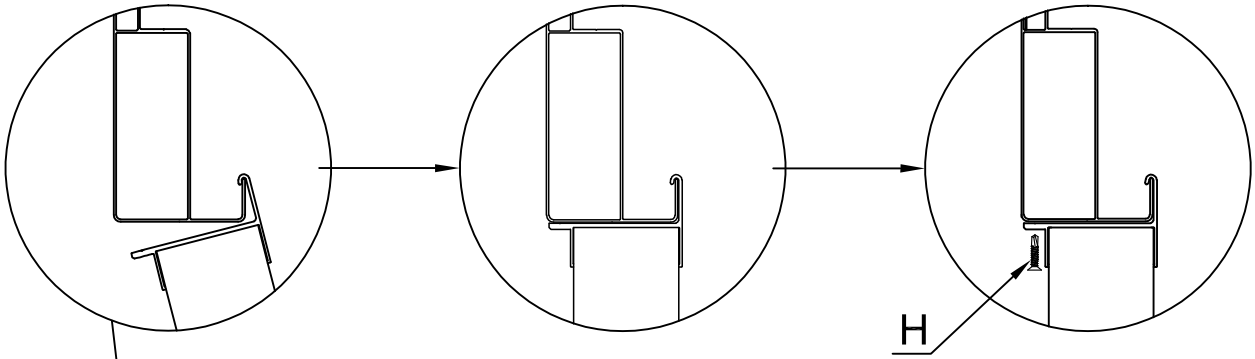


Draw lines, drill holes, tap in plastic expansion pipe.

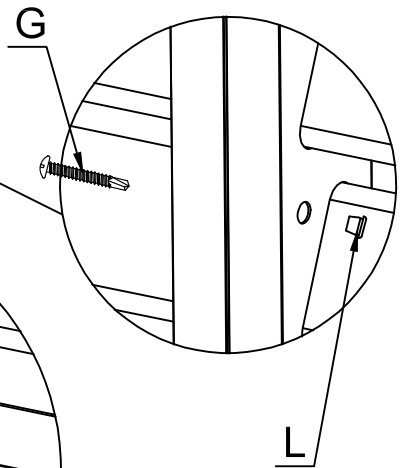
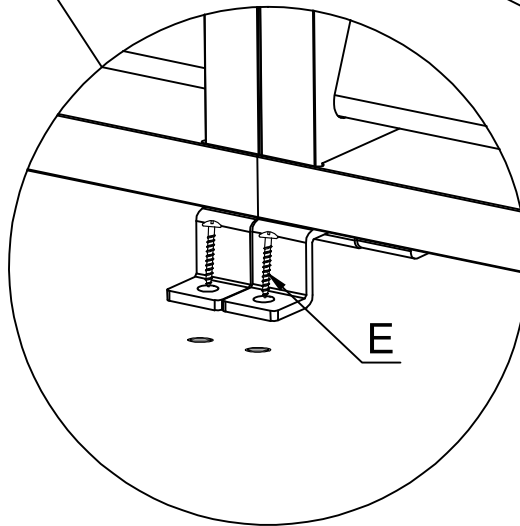
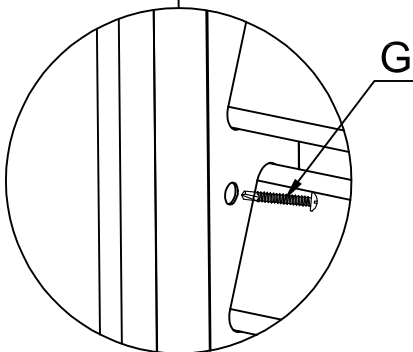
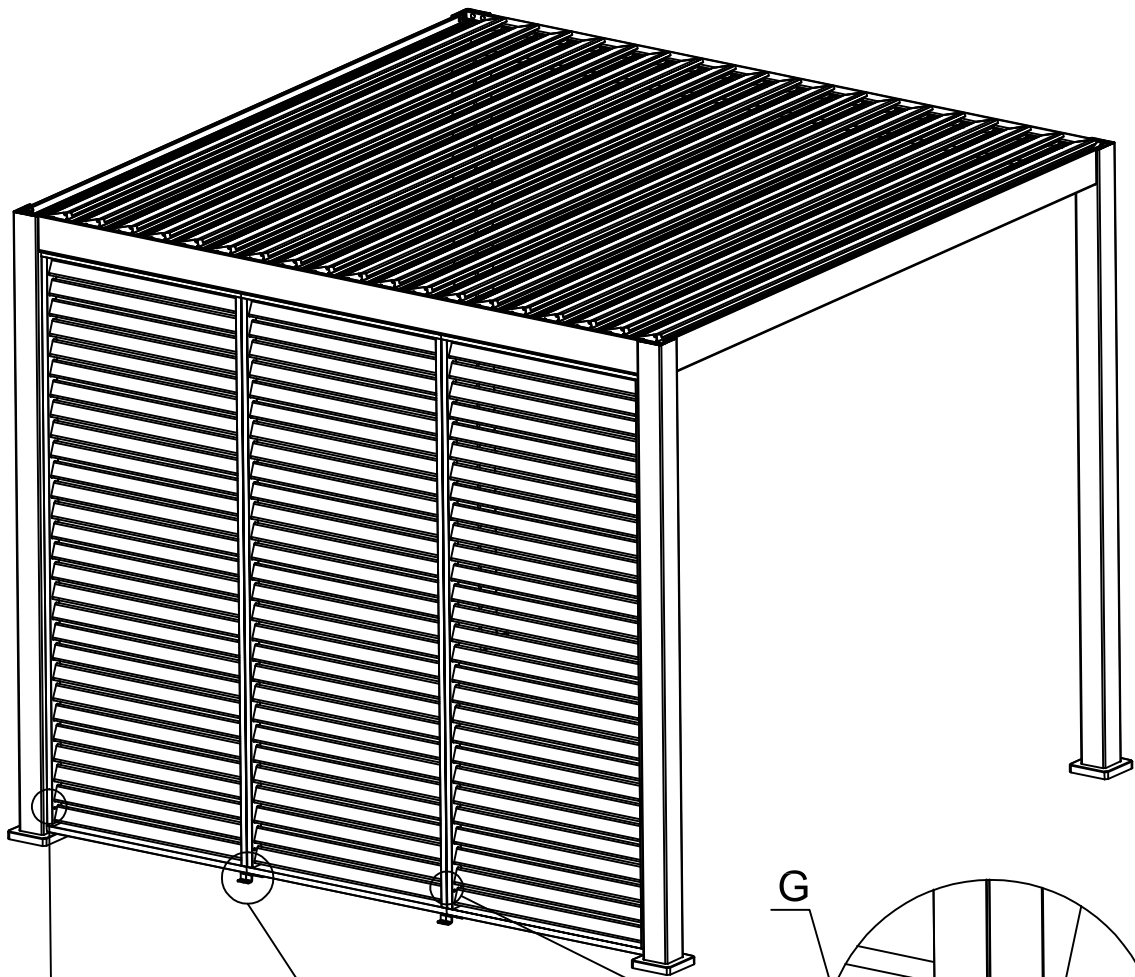


If the floor is a wood floor, you don't need to knock in the plastic expansion pipe, directly use E to knock in the floor.

4



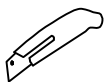
5



The tools you need:



Glove



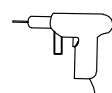
Knife



Safety hat



Electric screw driver



Percussion drill